

P801



MOUNTING FOOT WITH REVOLVING STEM AND GROUND FIXING

Materials:

Reinforced polyamide.
Resistant to oils and greases.

Surface finish:

Satin.

Colour:

Black (RAL 9011).

Inserts:

Galvanised steel non-articulated revolving threaded stem, fixed with a circlip.

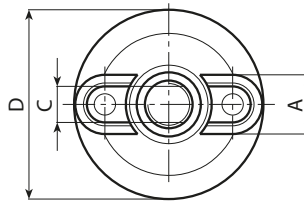
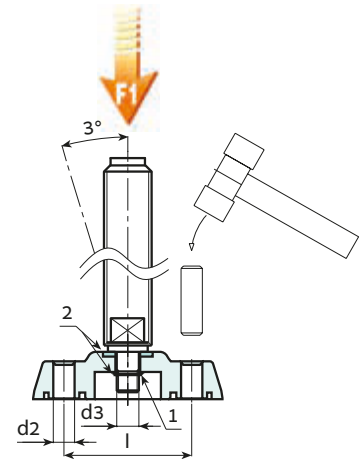
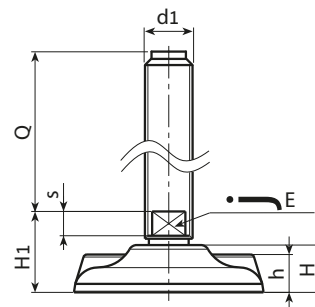
- (1) Circlip in black oxide treated steel UNI 7435.
- (2) Stainless steel washer (Aisi 304).

Ground fixing:

The mounting foot is supplied with closed holes for anchoring to the ground. To open them pierce the plastic membrane (see drawing).

Special requests:

- Upon request and for special quantities inserts can be supplied with customised lengths.
- Upon request and for special quantities the foot can be supplied in Orange (RAL 2004).



Version P801: Mounting foot with revolving stem and fixed with a circlip.

Stock availability as % (🛒)
90% (●) - 40% (●) - 5% (●)

Art.	D	H	I	H1	h	A	s	d2	d3	E	d1 _{6g}	Q	g	F1 (kN)
P801080.TM12X..01	80	20	54	32	16	18,5	8	9	8	10	M12	50-90	130-143	13
P801080.TM14X11001	80	20	54	32	16	18,5	8	9	8	12	M14	110	175	13
P801080.TM16X15001	80	20	54	32	16	18,5	8	9	8	13	M16	150	274	13
P801105.TM16X15001	105	22	74	36	18	22	8	11	10	13	M16	150	324	15
P801105.TM20X..01	105	22	74	36	18	22	10	11	10	17	M20	150-190	417-500	15
P801105.TM24X..01	105	22	74	36	18	22	10	11	10	19	M24	150-190	553-673	15
P801105.TM30X..01	105	22	74	36	18	22	10	11	10	24	M30	150-190	866-1055	15
P801130.TM16X..01	130	24	99	36	20	21	10	13	10	13	M16	90-150	310-391	17
P801130.TM20X..01	130	24	99	36	20	21	10	13	10	17	M20	110-150-190	404-485-565	17
P801130.TM24X..01	130	24	99	36	20	21	10	13	10	19	M24	150-190	618-738	17
P801130.TM30X..01	130	24	99	36	20	21	10	13	10	24	M30	150-190	931-1120	17

Enter the selected stud length in place of the two dots . . in the item code. Customised stud length available for a minimum of 100 pieces.

Attention: The expressed load limit F1 is lower than the break load by 30% and is intended as static.



Arbel Agencies LTD.

11 Ba'alei Hamelacha st. Qiryat Bialik P.O.B 1095, ZIP 2751311, ISRAEL

+972(0)48736969 ☎ +972(0)48730708 📠 info@arbel-ltd.com 📧 www.arbel-ltd.com 🌐

