

P800



MOUNTING FOOT WITH REVOLVING STEM AND GROUND FIXING

Materials:

Reinforced polyamide.
Resistant to oils and greases.

Surface finish:

Satin.

Colour:

Black (RAL 9011).

Inserts:

Galvanised steel non-articulated revolving threaded stem, fixed with a nut.

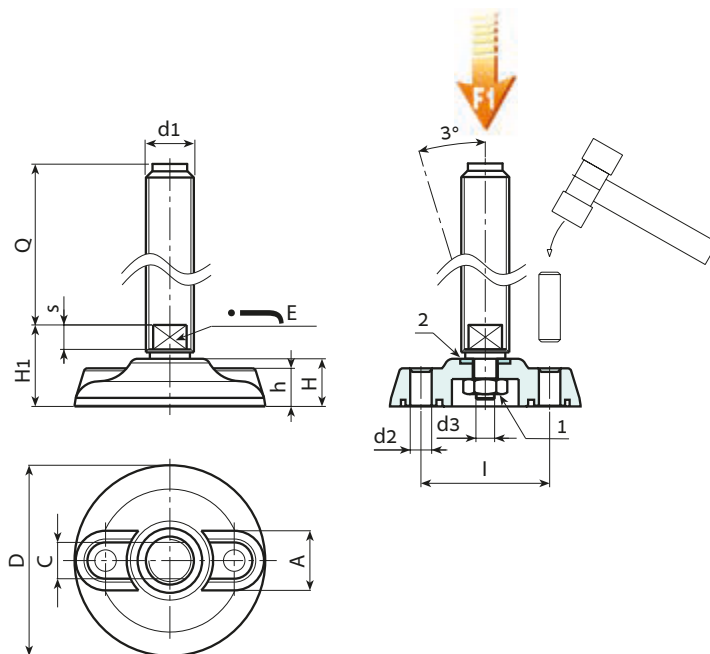
- (1) Stainless steel self-locking nut (Aisi 304) thin series UNI 7474.
- (2) Stainless steel washer (Aisi 304).

Ground fixing:

The mounting foot is supplied with closed holes for anchoring to the ground. To open them pierce the plastic membrane (see drawing).

Special requests:

- Upon request and for special quantities inserts can be supplied with customised lengths.
- Upon request and for special quantities the foot can be supplied in Orange (RAL 2004).



Version P800: Mounting foot with revolving stem and fixed with a nut.

Stock availability as % (🛒)
90% (●) - 40% (●) - 5% (●)

Art.	D	H	I	H1	h	A	s	d2	d3	E	d1 _{lg}	Q	g	F1 (kN)
P800080.TM12X..01	80	20	54	32	16	18,5	8	9	M8	10	M12	50-90	130-143	13
P800080.TM14X11001	80	20	54	32	16	18,5	8	9	M8	12	M14	110	181	13
P800080.TM16X15001	80	20	54	32	16	18,5	8	9	M8	13	M16	150	274	13
P800105.TM16X15001	105	22	74	36	18	22	10	11	M10	13	M16	150	324	15
P800105.TM20X..01	105	22	74	36	18	22	10	11	M10	17	M20	150-190	417-500	15
P800105.TM24X..01	105	22	74	36	18	22	10	11	M10	19	M24	150-190	553-673	15
P800105.TM30X..01	105	22	74	36	18	22	10	11	M10	24	M30	150-190	866-1055	15
P800130.TM16X..01	130	24	99	36	20	21	10	13	M10	13	M16	90-150	243-324	17
P800130.TM20X..01	130	24	99	36	20	21	10	13	M10	17	M20	110-150-190	404-485-565	17
P800130.TM24X..01	130	24	99	36	20	21	10	13	M10	19	M24	150-190	618-738	17
P800130.TM30X..01	130	24	99	36	20	21	10	13	M10	24	M30	150-190	931-1120	17

Enter the selected stud length in place of the two dots . . in the item code. Customised stud length available for a minimum of 100 pieces.

Attention: The expressed load limit F1 is lower than the break load by 30% and is intended as static.



Arbel Agencies LTD.

11 Ba'alei Hamelacha st. Qiryat Bialik P.O.B 1095, ZIP 2751311, ISRAEL
+972(0)48736969 ☎ +972(0)48730708 📠 info@arbel-ltd.com 📧 www.arbel-ltd.com 🌐

