

P709



PA6
+G.F.

SBS

UL94
HB

RoHS
COMPLIANT

TEARDROP MOUNTING FOOT WITH GROUND FIXING AND STEEL ARTICULATED STEM TYPE B - BALL R24 AND NON-SLIP BASE

Materials:

Reinforced polyamide.
Resistant to oils and greases.

Surface finish:

Satin.

Colour:

Black (RAL 9011).

Inserts:

P709:

Galvanised steel threaded and articulated stem (ball R.24) with milled seat for wrench (type B) (thread tolerance 6g).

P709CIN:

Stainless steel threaded and articulated stem (ball R.24) with milled seat for wrench (type B) (Aisi 304) (thread tolerance 6g).

Non-slip base:

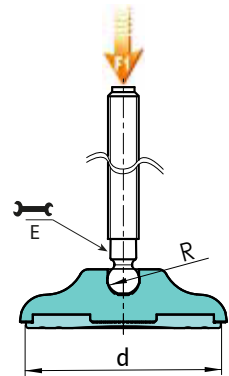
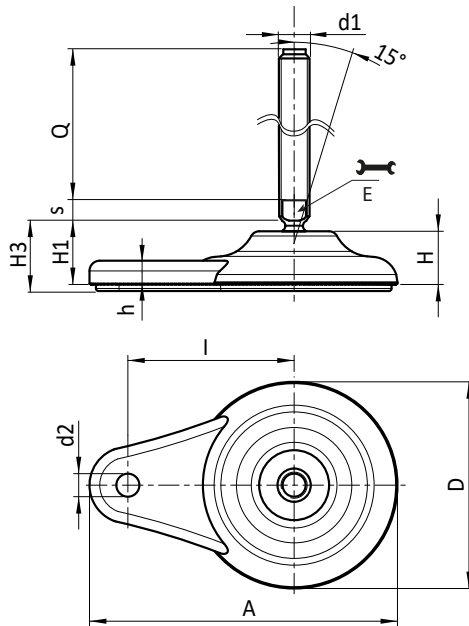
Non-slip base in thermoplastic rubber SBS 75 Shore, black RAL 9011. Resistant to oils and greases. Push-fit assembly.

Ground fixing:

Through hole obtained by moulding the plastic.

Special requests:

- Upon request and for special quantities inserts can be supplied with customised lengths.
- Upon request and for special quantities the foot can be supplied in Orange (RAL 2004).



Stock availability as % (🛒)
90% (●) - 40% (●) - 5% (●)

Version P709: Teardrop mounting foot with ground fixing - stem type B (with milled seat for wrench) and ball R24 - with SBS non-slip base

Art.	D	H	I	H1	H3	h	A	E	s	d2	d	R	d1 _{6g}	Q	g	F1 (kN)
P709080.TM24X..01	80	20	65	32	35	9	120	19	10	9	70	24	M24	110-130-150-170	469-529-589-649	25
P709080.TM30X..01	80	20	65	32	35	9	120	27	12	9	70	24	M30	110-130-150-170-190-210	629-716-804-892-979-1069	25

Version P709CIN: Foot with lateral ground fixing - stem type B - stainless steel - (with milled seat for wrench) and ball R24 - with SBS non-slip base

INOX

Art.	D	H	I	H1	H3	h	A	E	s	d2	d	R	d1 _{6g}	Q	g	F1 (kN)
P709080.TM24X..01CIN	80	20	65	32	35	9	120	19	10	9	70	24	M24	110-130-150-190	469-529-589-709	25
P709080.TM30X..01CIN	80	20	65	32	35	9	120	27	12	9	70	24	M30	130-170-210	716-892-1069	25

Enter the selected stud length in place of the two dots . . in the item code. Customised stud length available for a minimum of 100 pieces.

Attention: The expressed load limit F1 is lower than the break load by 30% and is intended as static.

Arbel Agencies LTD.



11 Ba'alei Hamelacha st. Qiryat Bialik P.O.B 1095, ZIP 2751311, ISRAEL
+972(0)48736969 ☎ +972(0)48730708 📠 info@arbel-ltd.com ✉ www.arbel-ltd.com 🌐

