

# P708



## TEARDROP MOUNTING FOOT WITH GROUND FIXING AND STEEL ARTICULATED STEM TYPE B - BALL R24

### Materials:

Reinforced polyamide.  
Resistant to oils and greases.

### Surface finish:

Satin.

### Colour:

Black (RAL 9011).

### Inserts:

#### P708:

Galvanised steel threaded and articulated stem (ball R.24) with milled seat for wrench (type B) (thread tolerance 6g).

#### P708CIN:

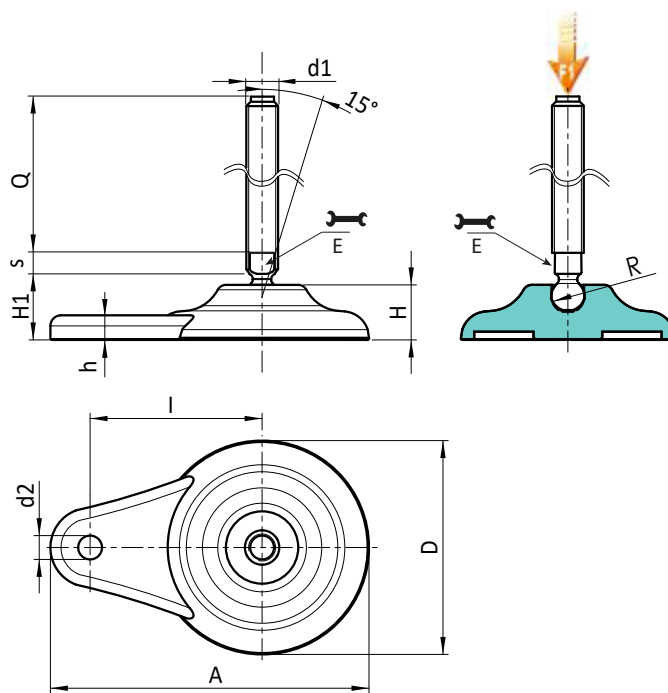
Stainless steel threaded and articulated stem (ball R.24) with milled seat for wrench (type B) (Aisi 304) (thread tolerance 6g).

### Ground fixing:

Through hole obtained by moulding the plastic.

### Special requests:

- Upon request and for special quantities inserts can be supplied with customised lengths.
- Upon request and for special quantities the foot can be supplied in Orange (RAL 2004).



### Version P708: Teardrop mounting foot with ground fixing - stem type B (with milled seat for wrench) and ball R24

Stock availability as % (🛒)  
90% (●) - 40% (●) - 5% (●)

Art.	D	H	I	H1	h	A	E	s	d2	R	d1 <sub>6g</sub>	Q	g	F1 (kN)
P708080.TM24X..01	80	20	65	32	9	120	19	10	9	24	M24	110-130-150-170	446-506-566-626	25
P708080.TM30X..01	80	20	65	32	9	120	27	12	9	24	M30	110-130-150-170-190-210	606-693-781-869-956-1046	25

### Version P708CIN: Teardrop mounting foot with ground fixing - stem type B - stainless steel - (with milled seat for wrench) and ball R24

**INOX**

Art.	D	H	I	H1	h	A	E	s	d2	R	d1 <sub>6g</sub>	Q	g	F1 (kN)
P708080.TM24X..01CIN	80	20	65	32	9	120	19	10	9	24	M24	110-130-150-190	446-506-566-686	25
P708080.TM30X..01CIN	80	20	65	32	9	120	27	12	9	24	M30	130-170-210	693-869-1046	25

Enter the selected stud length in place of the two dots . . in the item code. Customised stud length available for a minimum of 100 pieces.  
Attention: The expressed load limit F1 is lower than the break load by 30% and is intended as static.