

P707



TEARDROP MOUNTING FOOT WITH GROUND FIXING AND STEEL ARTICULATED STEM TYPE B - BALL R15 AND NON-SLIP BASE

Materials:

Reinforced polyamide.
Resistant to oils and greases.

Surface finish:

Satin.

Colour:

Black (RAL 9011).

Inserts:

P707:

Galvanised steel threaded and articulated stem (ball R.15) with milled seat for wrench (type B) (thread tolerance 6g).

P707CIN:

Stainless steel threaded and articulated stem (ball R.15) with milled seat for wrench (type B) (Aisi 303) (thread tolerance 6g).

Non-slip base:

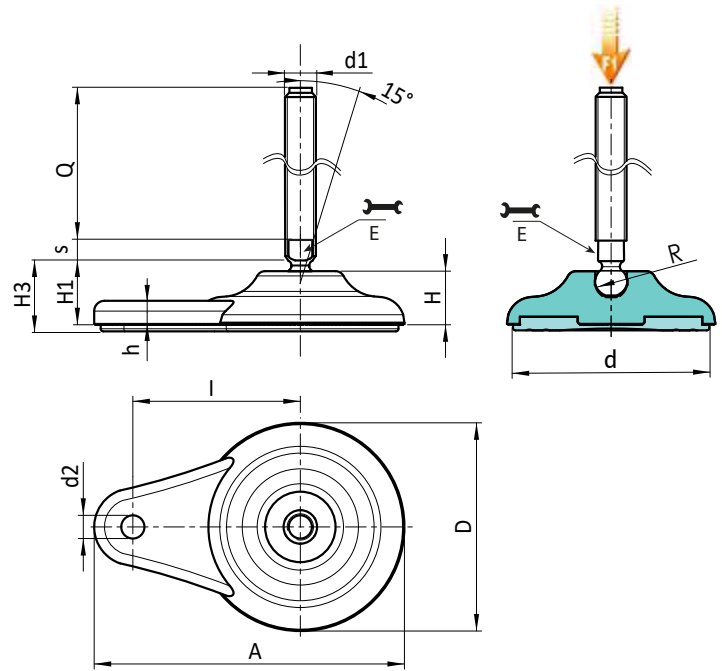
Non-slip base in thermoplastic rubber SBS 75 Shore, black RAL 9011. Resistant to oils and greases. Push-fit assembly.

Ground fixing:

Through hole obtained by moulding the plastic.

Special requests:

- Upon request and for special quantities inserts can be supplied with customised lengths.
- Upon request and for special quantities the foot can be supplied in Orange (RAL 2004).



Stock availability as % (🛒)
90% (●) - 40% (●) - 5% (●)

Version P707: Teardrop mounting foot with ground fixing - stem type B (with milled seat for wrench) and ball R15 - with SBS non-slip base

| Art. | D | H | I | H1 | H3 | h | A | E | s | d2 | d | R | d1 _{6g} | Q | g | F1 (kN) |
|-------------------|----|----|----|----|----|---|-----|----|---|----|----|----|------------------|----------------------------------|-------------------------------------|---------|
| P707080.TM20X..01 | 80 | 20 | 65 | 26 | 29 | 9 | 120 | 16 | 7 | 9 | 70 | 15 | M20 | 50-70-90-110-130-150-170-190-210 | 222-254-286-318-350-385-417-450-485 | 17 |
| P707080.TM24X..01 | 80 | 20 | 65 | 26 | 29 | 9 | 120 | 19 | 7 | 9 | 70 | 15 | M24 | 150-170-190-210 | 590-650-710-770 | 17 |

Version P707CIN: Teardrop mounting foot with ground fixing - stem type B - stainless steel - (with milled seat for wrench) and ball R15 - with

SBS non-slip base

| Art. | D | H | I | H1 | H3 | h | A | E | s | d2 | d | R | d1 _{6g} | Q | g | F1 (kN) |
|----------------------|----|----|----|----|----|---|-----|----|---|----|----|----|------------------|-----------------------|-------------------------|---------|
| P707080.TM20X..01CIN | 80 | 20 | 65 | 26 | 29 | 9 | 120 | 16 | 7 | 9 | 70 | 15 | M20 | 70-90-130-150-190-210 | 254-286-350-385-450-485 | 17 |
| P707080.TM24X..01CIN | 80 | 20 | 65 | 26 | 29 | 9 | 120 | 19 | 7 | 9 | 70 | 15 | M24 | 110-150-190 | 470-590-710 | 17 |

Enter the selected stud length in place of the two dots . . in the item code. Customised stud length available for a minimum of 100 pieces.

Attention: The expressed load limit F1 is lower than the break load by 30% and is intended as static.

Arbel Agencies LTD.



11 Ba'alei Hamelacha st. Qiryat Bialik P.O.B 1095, ZIP 2751311, ISRAEL
+972(0)48736969 ☎ +972(0)48730708 📠 info@arbel-ltd.com 📧 www.arbel-ltd.com 🌐

