

P706



TEARDROP MOUNTING FOOT WITH GROUND FIXING AND STEEL ARTICULATED STEM TYPE B - BALL R15

Materials:

Reinforced polyamide.
Resistant to oils and greases.

Surface finish:

Satin.

Colour:

Black (RAL 9011).

Inserts:

P706:

Galvanised steel threaded and articulated stem (ball R.15) with milled seat for wrench (type B) (thread tolerance 6g).

P706CIN:

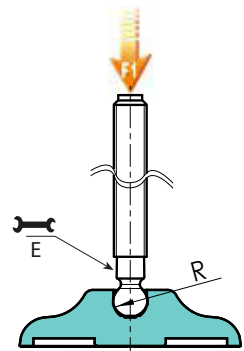
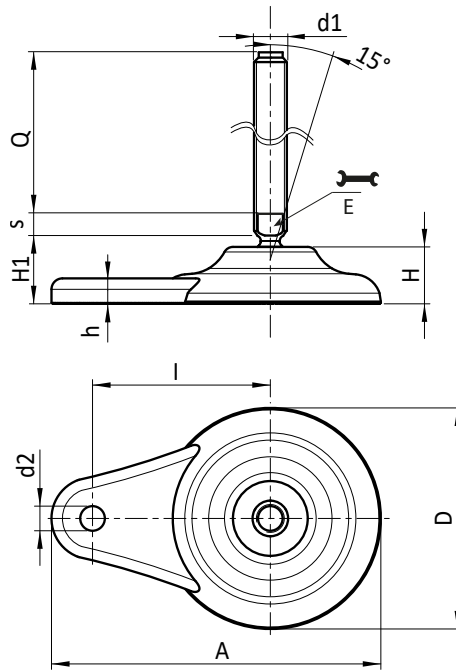
Stainless steel threaded and articulated stem (ball R.15) with milled seat for wrench (type B) (Aisi 304) (thread tolerance 6g).

Ground fixing:

Through hole obtained by moulding the plastic.

Special requests:

- Upon request and for special quantities inserts can be supplied with customised lengths.
- Upon request and for special quantities the foot can be supplied in Orange (RAL 2004).



Version P706: Teardrop mounting foot with ground fixing - stem type B (with milled seat for wrench) and ball R15

Stock availability as % (🛒)
90% (●) - 40% (●) - 5% (●)

Art.	D	H	I	H1	h	A	E	s	d2	R	d1 _{6g}	Q	g	F1 (kN)
P706080.TM20X..01	80	20	65	26	9	120	16	7	9	15	M20	70-90-130-150-190-210	231-263-327-362-427-462	17
P706080.TM24X..01	80	20	65	26	9	120	16	7	9	15	M24	150-170-190-210	567-627-687-747	17

Version P706CIN: Teardrop mounting foot with ground fixing - stem type B - stainless steel - (with milled seat for wrench) and ball R15

INOX

Art.	D	H	I	H1	h	A	E	s	d2	R	d1 _{6g}	Q	g	F1 (kN)
P706080.TM20X..01	80	20	65	26	9	120	16	7	9	15	M20	70-90-130-150-190-210	231-263-327-362-427-462	17
P706080.TM24X..01	80	20	65	26	9	120	16	7	9	15	M24	150-170-190-210	567-627-687-747	17

Enter the selected stud length in place of the two dots . . in the item code. Customised stud length available for a minimum of 100 pieces.

Attention: The expressed load limit F1 is lower than the break load by 30% and is intended as static.



Arbel Agencies LTD.

11 Ba'alei Hamelacha st. Qiryat Bialik P.O.B 1095, ZIP 2751311, ISRAEL
+972(0)48736969 ☎ +972(0)48730708 📠 info@arbel-ltd.com 📧 www.arbel-ltd.com 🌐

