

P704



TEARDROP MOUNTING FOOT WITH GROUND FIXING AND STEEL ARTICULATED STEM TYPE B - BALL R12.4

Materials:

Reinforced polyamide.
Resistant to oils and greases.

Surface finish:

Satin.

Colour:

Black (RAL 9011).

Inserts:

P704:

Galvanised steel threaded and articulated stem (ball R.12.5) with milled seat for wrench (type B) (thread tolerance 6g).

P704CIN:

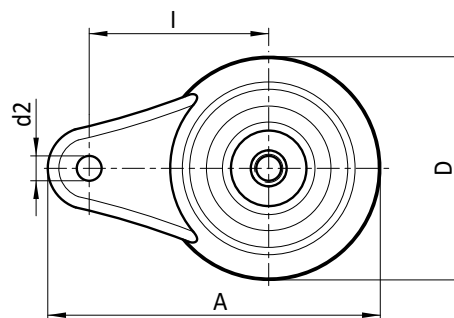
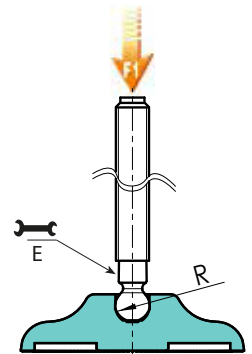
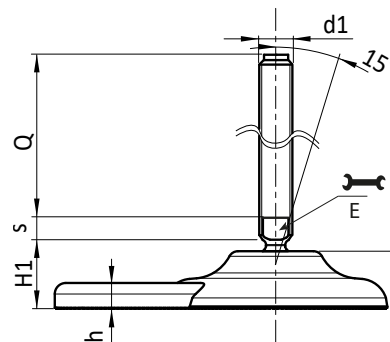
Stainless steel threaded and articulated stem (ball R.12.5) with milled seat for wrench (type B) (Aisi 303) (thread tolerance 6g).

Ground fixing:

Through hole obtained by moulding the plastic.

Special requests:

- Upon request and for special quantities inserts can be supplied with customised lengths.
- Upon request and for special quantities the foot can be supplied in Orange (RAL 2004).



Version P704: Teardrop mounting foot with ground fixing - stem type B (with milled seat for wrench) and ball R12.5 Stock availability as % (🛒)
90% (●) - 40% (●) - 5% (●)

Art.	D	H	I	H1	h	A	E	s	d2	R	d1 _{6g}	Q	g	F1 (kN)
P704080.TM16X..01	80	20	65	26	9	120	13	7	9	12,4	M16	70-90-110-130-150-170	156-182-208-234-260-286	10

Enter the selected stud length in place of the two dots . . in the item code. Customised stud length available for a minimum of 100 pieces.

Attention: The expressed load limit F1 is lower than the break load by 30% and is intended as static.

Version P702CIN: Teardrop mounting foot with ground fixing - stem type A - stainless steel - (with hexagonal base) and ball R15



Art.	D	H	I	H1	h	A	E	s	d2	R	d1 _{6g}	Q	g	F1 (kN)
P704080.TM16X..01CIN	80	20	65	26	9	120	13	7	9	12,4	M16	110-130-150-170	130-156-182-208-234-260-286	10

Enter the selected stud length in place of the two dots . . in the item code. Customised stud length available for a minimum of 100 pieces.

Attention: The expressed load limit F1 is lower than the break load by 30% and is intended as static.