

P703



TEARDROP MOUNTING FOOT WITH GROUND FIXING AND STEEL ARTICULATED STEM TYPE A - BALL R15

Materials:

Reinforced polyamide.
Resistant to oils and greases.

Surface finish:

Satin.

Colour:

Black (RAL 9011).

Inserts:

P703:

Galvanised steel threaded and articulated stem (ball R.15) with hexagonal base (thread tolerance 6g).

P703CIN:

Stainless steel threaded and articulated stem (ball R.15) with hexagonal base (Aisi 303) (thread tolerance 6g).

Non-slip base:

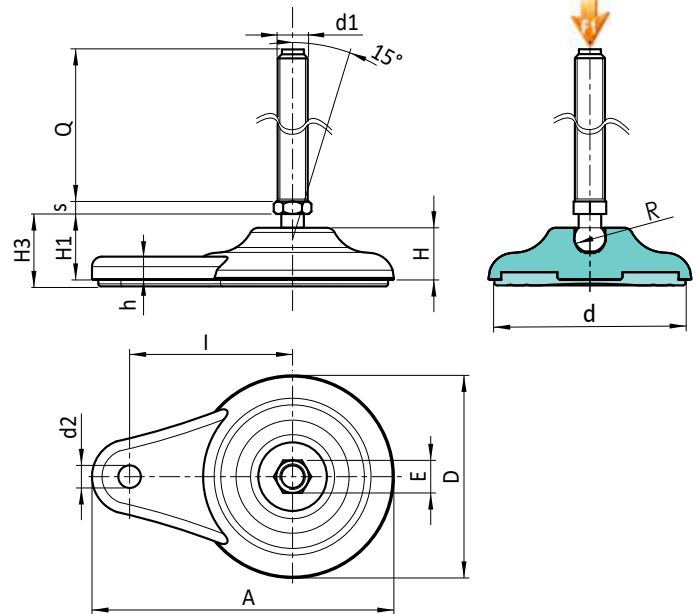
Non-slip base in thermoplastic rubber SBS 75 Shore, black RAL 9011.
Resistant to oils and greases. Push-fit assembly.

Ground fixing:

Through hole obtained by moulding the plastic.

Special requests:

- Upon request and for special quantities inserts can be supplied with customised lengths.
- Upon request and for special quantities the foot can be supplied in Orange (RAL 2004).



Stock availability as % (🛒)
90% (●) - 40% (●) - 5% (●)

Version P703: Teardrop mounting foot with ground fixing - stem type A (with hexagonal base) and ball R15 - with SBS non-slip base

Art.	D	H	I	H1	H3	h	A	E	s	d2	d	R	d1 _{6g}	Q	g	F1 (kN)
P703080.TM12X..01	80	20	65	26	29	9	120	16	6.5	9	70	15	M12	50-70-90-110	143-156-171-187	13
P703080.TM14X..01	80	20	65	26	29	9	120	16	6.5	9	70	15	M14	50-70-90-110-150	155-185-196-213-230-247	13
P703080.TM16X..01	80	20	65	26	29	9	120	16	6.5	9	70	15	M16	50-70-90-110-130-150-170-190	171-197-223-248-274-299-327-350	13

Version P703CIN: Teardrop mounting foot with ground fixing - stem type A - stainless steel - (with hexagonal base) and ball R15 - with SBS

non-slip base



Art.	D	H	I	H1	H3	h	A	E	s	d2	d	R	d1 _{6g}	Q	g	F1 (kN)
P703080.TM12X..01CIN	80	20	65	26	29	9	120	16	6.5	9	70	15	M12	70-90-110	156-171-187	13
P703080.TM14X..01CIN	80	20	65	26	29	9	120	16	6.5	9	70	15	M14	70-110-130	185-213-230	13
P703080.TM16X..01CIN	80	20	65	26	29	9	120	16	6.5	9	70	15	M16	50-70-90-110-130-150-170-190	171-197-223-248-274-299-327-350	13

Enter the selected stud length in place of the two dots . . in the item code. Customised stud length available for a minimum of 100 pieces.

Attention: The expressed load limit F1 is lower than the break load by 30% and is intended as static.



Arbel Agencies LTD.

11 Ba'alei Hamelacha st. Qiryat Bialik P.O.B 1095, ZIP 2751311, ISRAEL
+972(0)48736969 ☎ +972(0)48730708 📠 info@arbel-ltd.com ✉ www.arbel-ltd.com 🌐

