

P701



TEARDROP MOUNTING FOOT WITH GROUND FIXING AND STEEL ARTICULATED STEM TYPE A - BALL R12.4 AND NON-SLIP BASE

Materials:

Reinforced polyamide.
Resistant to oils and greases.

Surface finish:

Satin.

Colour:

Black (RAL 9011).

Inserts:

P701:

Galvanised steel threaded and articulated stem (ball R.12.5) with hexagonal base (thread tolerance 6g).

P701CIN:

Stainless steel threaded and articulated stem (ball R.12.5) with hexagonal base (Aisi 303) (thread tolerance 6g).

Non-slip base:

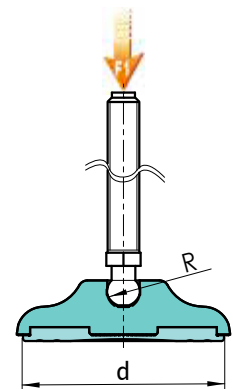
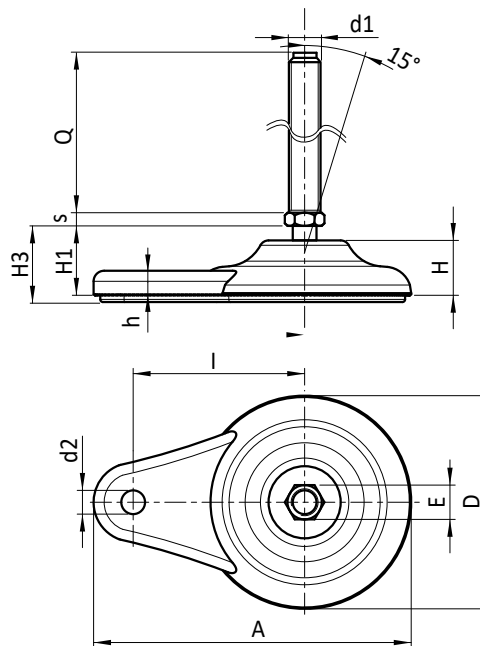
Non-slip base in thermoplastic rubber SBS 75 Shore, black RAL 9011. Resistant to oils and greases. Push-fit assembly.

Ground fixing:

Through hole obtained by moulding the plastic.

Special requests:

- Upon request and for special quantities inserts can be supplied with customised lengths.
- Upon request and for special quantities the foot can be supplied in Orange (RAL 2004).



Stock availability as % (🛒)
90% (●) - 40% (●) - 5% (●)

Version P701: Teardrop mounting foot with ground fixing - stem type A (with hexagonal base) and ball R12.5 - with SBS non-slip base

Art.	D	H	I	H1	H3	h	A	E	s	d2	d	R	d1 _{6g}	Q	g	F1 (kN)
P701080.TM08X..01	80	20	65	26	29	9	120	13	5	9	70	12.5	M8	45-70	72-79	10
P701080.TM10X..01	80	20	65	26	29	9	120	13	5	9	70	12.5	M10	45-70-100	97-109-146	10
P701080.TM12X..01	80	20	65	26	29	9	120	13	5	9	70	12.5	M12	45-70-100	107-124-168	10

Version P701CIN: Teardrop mounting foot with ground fixing - stem type A - stainless steel - (with hexagonal base) and ball R12.5 - with SBS

non-slip base

INOX

Art.	D	H	I	H1	H3	h	A	E	s	d2	d	R	d1 _{6g}	Q	g	F1 (kN)
P701080.TM08X..01CIN	80	20	65	26	29	9	120	13	5	9	70	12.5	M8	45-70	72-79	10
P701080.TM10X..01CIN	80	20	65	26	29	9	120	13	5	9	70	12.5	M10	45-70	97-109	10
P701080.TM12X..01CIN	80	20	65	26	29	9	120	13	5	9	70	12.5	M12	45-70-100	107-124-168	10

Enter the selected stud length in place of the two dots . . in the item code. Customised stud length available for a minimum of 100 pieces.

Attention: The expressed load limit F1 is lower than the break load by 30% and is intended as static.

Arbel Agencies LTD.



11 Ba'alei Hamelacha st. Qiryat Bialik P.O.B 1095, ZIP 2751311, ISRAEL
+972(0)48736969 ☎ +972(0)48730708 📠 info@arbel-ltd.com 📧 www.arbel-ltd.com 🌐

