

P700



TEARDROP MOUNTING FOOT WITH GROUND FIXING AND STEEL ARTICULATED STEM TYPE A - BALL R12.4

Materials:

Reinforced polyamide.
Resistant to oils and greases.

Surface finish:

Satin.

Colour:

Black (RAL 9011).

Inserts:

P700:

Galvanised steel threaded and articulated stem (ball R.12.4) with hexagonal base (thread tolerance 6g).

P700CIN:

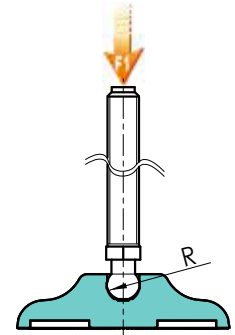
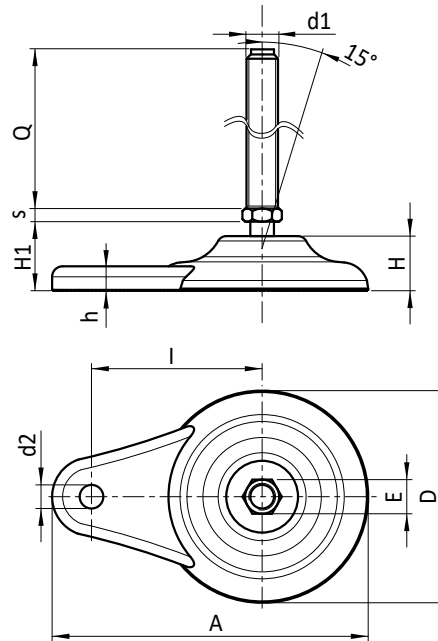
Stainless steel threaded and articulated stem (ball R.12.4) with hexagonal base (Aisi 303) (thread tolerance 6g).

Ground fixing:

Through hole obtained by moulding the plastic.

Special requests:

- Upon request and for special quantities inserts can be supplied with customised lengths.
- Upon request and for special quantities the foot can be supplied in Orange (RAL 2004).



Version P700: Teardrop mounting foot with ground fixing - stem type A (with hexagonal base) and ball R12.5

Stock availability as % (🛒)
90% (●) - 40% (●) - 5% (●)

Art.	D	H	I	H1	h	A	E	s	d2	R	d1	Q	g	F1 (kN)
P700080.TM08X..01	80	20	65	26	9	120	13	5	9	12.5	M8	45-70	58-65	10
P700080.TM10X..01	80	20	65	26	9	120	13	5	9	12.5	M10	45-70-100	83-95-132	10
P700080.TM12X..01	80	20	65	26	9	120	13	5	9	12.5	M12	45-70-100	93-110-154	10

Version P700CIN: Teardrop mounting foot with ground fixing - stem type A - stainless steel - (with hexagonal base) and ball R12.5



Art.	D	H	I	H1	h	A	E	s	d2	R	d1	Q	g	F1 (kN)
P700080.TM08X..01CIN	80	20	65	26	9	120	13	5	9	12.5	M8	45-70	58-65	10
P700080.TM10X..01CIN	80	20	65	26	9	120	13	5	9	12.5	M10	45-70-100	83-95-132	10
P700080.TM12X..01CIN	80	20	65	26	9	120	13	5	9	12.5	M12	45-70-100	93-110-154	10

Enter the selected stud length in place of the two dots . . in the item code. Customised stud length available for a minimum of 100 pieces.
Attention: The expressed load limit F1 is lower than the break load by 30% and is intended as static.

