

P580



GALVANISED STEEL MOUNTING FOOT WITH FIXED THREADED STUD

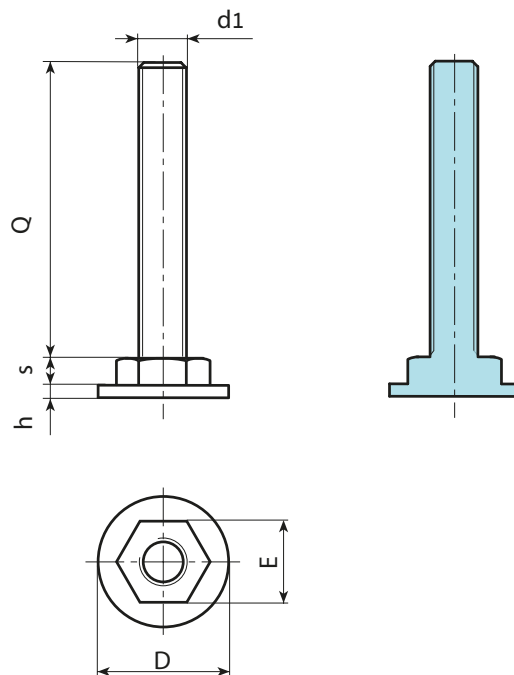
Materials:
Steel C10

Surface finish:
Smooth

Colour:
Standard blue galvanising.

Inserts:
Galvanised steel threaded stud (thread tolerance 6g).

Special requests:
• None.



P



Stock availability as % (🛒)
90% (●) - 40% (●) - 5% (●)

🛒	Art.	D	h	E	s	d1 _{6g}	Q	g	F1 (N)
●	P58031.VZM10X..	31	3	17	12	M10	40-50-60	59-71-83	13.000

Attention: The expressed load limit F1 is lower than the break load by 30% and is intended as static.



11 Ba'alei Hamelacha st. Qiryat Bialik P.O.B 1095, ZIP 2751311, ISRAEL
+972(0)48736969 ☎ +972(0)48730708 📠 info@arbel-ltd.com 🌐 www.arbel-ltd.com 🌐

