

# P544



## FULL STEEL MOUNTING FOOT WITH ARTICULATED STEM TYPE A - BALL R24 AND NON-SLIP BASE

### Materials:

#### P544:

Turned free-cutting steel mounting foot base.

#### P544CIN:

Turned stainless steel mounting foot base (Aisi 303).

### Surface finish:

Smooth.

### Colour:

#### P544:

Standard blue galvanising.

#### P544CIN:

Natural.

### Inserts:

#### P544:

Galvanised steel threaded and articulated stem (ball R.24) with hexagonal base (thread tolerance 6g).

#### P544CIN:

Stainless steel threaded and articulated stem (ball R.24) with hexagonal base (Aisi 303) (thread tolerance 6g).

### Stem fixing method:

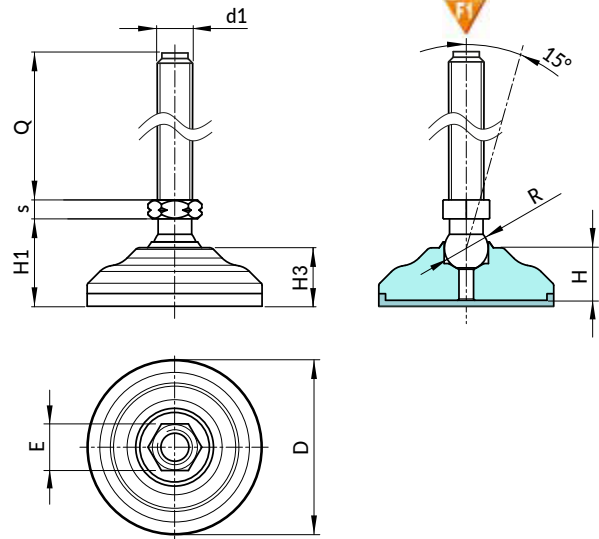
The stem cannot be disassembled. The ball cannot be removed as the edge of its seat has been pressed in.

### Non-slip base:

Non-slip base in thermoplastic rubber SBS 75 Shore, black RAL 9011. Resistant to oils and greases. Push-fit assembly.

### Special requests:

- Upon request and for special quantities inserts can be supplied with customised lengths.



Stock availability as % (🛒)  
90% (●) - 40% (●) - 5% (●)

Version P544: Galvanised steel mounting foot with stem type A (with hexagonal base) and ball R24-with SBS non-slip base

Art.	D	H	H1	H3	E	s	R	d1 <sub>6g</sub>	Q	g	F1 (kN)
P54460.VZM16X..	60	20	32	22,5	24	10	24	M16	90-110-130-150-170	-	60
P54460.VZM20X..	60	20	32	22,5	24	10	24	M20	90-110-130-150-170	-	90

Version P544CIN: Stainless steel mounting foot with stem type A (with hexagonal base) and ball R24-with SBS non-slip base



Art.	D	H	H1	H3	E	s	R	d1 <sub>6g</sub>	Q	g	F1 (kN)
P54460.INM16X..CIN	60	20	32	22,5	24	10	24	M16	90-110-130-150-170	-	60
P54460.INM20X..CIN	60	20	32	22,5	24	10	24	M20	90-110-130-150-170	-	60

Enter the selected stud length in place of the two dots . . in the item code. Customised stud length available for a minimum of 100 pieces. Attention: The expressed load limit F1 is lower than the break load by 30% and is intended as static.

Arbel Agencies LTD.



11 Ba'alei Hamelacha st. Qiryat Bialik P.O.B 1095, ZIP 2751311, ISRAEL  
+972(0)48736969 ☎ +972(0)48730708 📠 info@arbel-ltd.com 📧 www.arbel-ltd.com 🌐

