

P543



FULL STEEL MOUNTING FOOT WITH ARTICULATED STEM TYPE B - BALL R15 AND NON-SLIP BASE

Materials:

P543:

Turned free-cutting steel mounting foot base.

P543CIN:

Turned stainless steel mounting foot base (Aisi 303).

Surface finish:

Smooth.

Colour:

P543:

Standard blue galvanising.

P543CIN:

Natural.

Inserts:

P543:

Galvanised steel threaded and articulated stem (ball R.15) with milled seat for wrench (type B) (thread tolerance 6g).

P543CIN:

Stainless steel threaded and articulated stem (ball R.15) with milled seat for wrench (type B) (Aisi 304) (thread tolerance 6g).

Stem fixing method:

The stem cannot be disassembled. The ball cannot be removed as the edge of its seat has been pressed in.

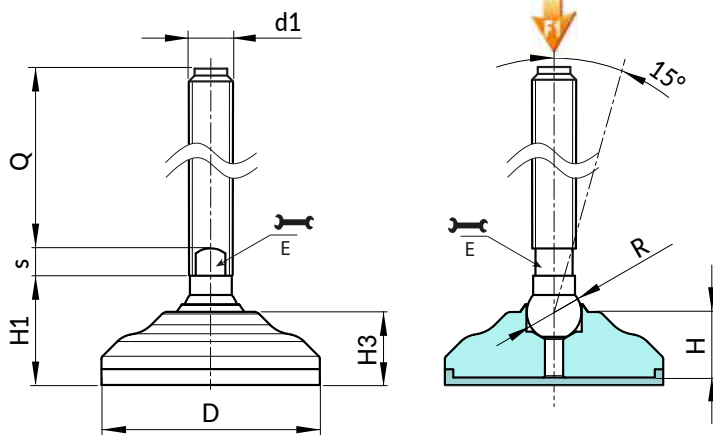
Non-slip base:

Non-slip base in thermoplastic rubber SBS 75 Shore, black RAL 9011.

Resistant to oils and greases. Push-fit assembly.

Special requests:

- Upon request and for special quantities inserts can be supplied with customised lengths.



Stock availability as % (🛒)
90% (●) - 40% (●) - 5% (●)

Version P543: Galvanised steel mounting foot with stem type B (with milled seat for wrench) and ball R15 - with SBS non-slip base

Art.	D	H	H1	H3	E	s	R	d1 _{6g}	Q	g	F1 (kN)
P54340.VZM20X..	40	15	26	17.5	16	7	15	M20	90-110-130-150-170-190-210	313-345-377-412-444-477-512	50
P54350.VZM20X..	50	17.5	29.5	20	16	7	15	M20	90-110-130-150-170-190-210	382-414-446-481-513-546-581	50
P54360.VZM20X..	60	19.5	32	22	16	7	15	M20	90-110-130-150-170-190-210	487-519-351-586-618-651-686	50
P54340.VZM24X..	40	15	26	17.5	19	7	15	M24	90-110-130-150-170-190-210	437-497-557-617-677-737-797	50
P54350.VZM24X..	50	17.5	29.5	20	19	7	15	M24	90-110-130-150-170-190-210	506-566-626-686-746-806-866	50
P54360.VZM24X..	60	19.5	32	22	19	7	15	M24	90-110-130-150-170-190-210	611-671-731-791-851-911-971	50

Version P543CIN: Stainless steel foot with stem type B (with milled seat for wrench) and ball R15 - with SBS non-slip base



Art.	D	H	H1	H3	E	s	R	d1 _{6g}	Q	g	F1 (kN)
P54340.INM20X..CIN	40	15	26	17.5	16	7	15	M20	90-110-130-150-170-190-210	313-345-377-412-444-477-512	50
P54350.INM20X..CIN	50	17.5	29.5	20	16	7	15	M20	90-110-130-150-170-190-210	382-414-446-481-513-546-581	50
P54360.INM20X..CIN	60	19.5	32	22	16	7	15	M20	90-110-130-150-170-190-210	487-519-351-586-618-651-686	50
P54340.INM24X..CIN	40	15	26	17.5	19	7	15	M24	90-110-130-150-170-190-210	437-497-557-617-677-737-797	50
P54350.INM24X..CIN	50	17.5	29.5	20	19	7	15	M24	90-110-130-150-170-190-210	506-566-626-686-746-806-866	50
P54360.INM24X..CIN	60	19.5	32	22	19	7	15	M24	90-110-130-150-170-190-210	611-671-731-791-851-911-971	50

Enter the selected stud length in place of the two dots . . in the item code. Customised stud length available for a minimum of 100 pieces.

Attention: The expressed load limit F1 is lower than the break load by 30% and is intended as static.

Arbel Agencies LTD.



11 Ba'alei Hamelacha st. Qiryat Bialik P.O.B 1095, ZIP 2751311, ISRAEL

+972(0)48736969 ☎ +972(0)48730708 📠 info@arbel-ltd.com 📧 www.arbel-ltd.com 🌐

