

P542



FULL STEEL MOUNTING FOOT WITH ARTICULATED STEM TYPE B - BALL R12.4 AND NON-SLIP BASE

Materials:

P542:

Turned free-cutting steel mounting foot base.

P542CIN:

Turned stainless steel mounting foot base (Aisi 303).

Surface finish:

Smooth.

Colour:

P542:

Standard blue galvanising.

P542CIN:

Natural.

Inserts:

P542:

Galvanised steel threaded and articulated stem (ball R.12.5) with milled seat for wrench (type B) (thread tolerance 6g).

P542CIN:

Stainless steel threaded and articulated stem (ball R.12.5) with milled seat for wrench (type B) (Aisi 303) (thread tolerance 6g).

Stem fixing method:

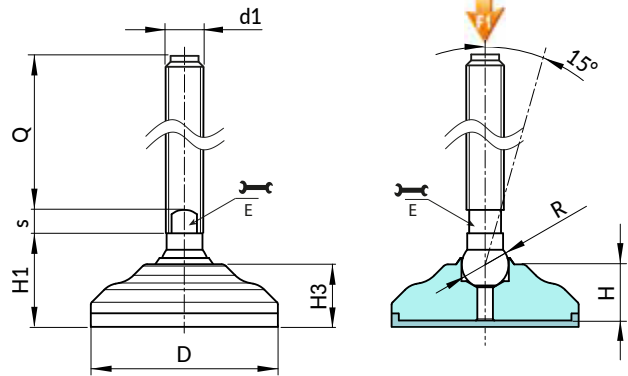
The stem cannot be disassembled. The ball cannot be removed as the edge of its seat has been pressed in.

Non-slip base:

Non-slip base in thermoplastic rubber SBS 75 Shore, black RAL 9011. Resistant to oils and greases. Push-fit assembly.

Special requests:

- Upon request and for special quantities inserts can be supplied with customised lengths.



Stock availability as % (🛒)
90% (●) - 40% (●) - 5% (●)

Version P542: Galvanised steel mounting foot with stem type B (with milled seat for wrench) and ball R12.5 - with SBS non-slip base

Art.	D	H	H1	H3	E	s	R	d1 _{6g}	Q	🛒	F1 (kN)
P54260.VZM16X..	60	19.5	32	22	13	7	12.5	M16	50-70-90-110-130-150-170	352-379-405-431-457-483-509	23

Version P542CIN: Stainless steel foot with stem type B (with milled seat for wrench) and ball R12.5 - with SBS non-slip base



Art.	D	H	H1	H3	E	s	R	d1 _{6g}	Q	🛒	F1 (kN)
P54260.INM16X..CIN	60	19.5	32	22	13	7	12.5	M16	50-70-90-110-130-150-170	352-379-405-431-457-483-509	23

Enter the selected stud length in place of the two dots . . in the item code. Customised stud length available for a minimum of 100 pieces.

Attention: The expressed load limit F1 is lower than the break load by 30% and is intended as static.

Arbel Agencies LTD.



11 Ba'alei Hamelacha st. Qiryat Bialik P.O.B 1095, ZIP 2751311, ISRAEL
+972(0)48736969 ☎ +972(0)48730708 📠 info@arbel-ltd.com 📧 www.arbel-ltd.com 🌐

