

# P541



## FULL STEEL MOUNTING FOOT WITH ARTICULATED STEM TYPE A - BALL R15 AND NON-SLIP BASE

### Materials:

#### P541:

Turned free-cutting steel mounting foot base.

#### P541CIN:

Turned stainless steel mounting foot base (Aisi 303).

### Surface finish:

Smooth.

### Colour:

Standard blue galvanising.

#### P541:

Standard blue galvanising.

#### P541CIN:

Natural.

### Inserts:

#### P541:

Galvanised steel threaded and articulated stem (ball R.15) with hexagonal base (thread tolerance 6g).

#### P541CIN:

Stainless steel threaded and articulated stem (ball R.15) with hexagonal base (Aisi 303) (thread tolerance 6g).

### Stem fixing method:

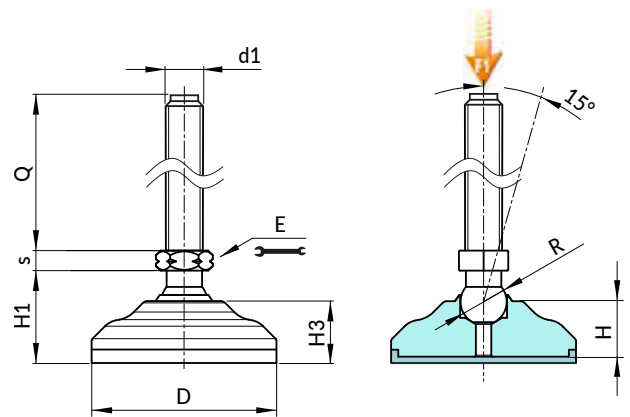
The stem cannot be disassembled. The ball cannot be removed as the edge of its seat has been pressed in.

### Non-slip base:

Non-slip base in thermoplastic rubber SBS 75 Shore, black RAL 9011. Resistant to oils and greases. Push-fit assembly.

### Special requests:

- Upon request and for special quantities inserts can be supplied with customised lengths.



Stock availability as % (🛒)  
90% (●) - 40% (●) - 5% (●)

### Version P541: Galvanised steel mounting foot with stem type A (with hexagonal base) and ball R15 - with SBS non-slip base

Art.	D	H	H1	H3	E	s	R	d1 <sub>6g</sub>	Q	g	F1 (kN)
P54140.VZM12X..	40	15	26	17.5	16	6.5	15	M12	50-70-90-110	170-183-198-214	33
P54140.VZM14X..	40	15	26	17.5	16	6.5	15	M14	50-70-90-110-130-150	182-202-223-240-258-274	33
P54140.VZM16X..	40	15	26	17.5	16	6.5	15	M16	50-70-90-110-130-150-170-190	198-224-250-275-301-326-354-377	50
P54150.VZM12X..	50	17.5	29.5	20	16	6.5	15	M12	50-70-90-110	239-252-267-283	33
P54150.VZM14X..	50	17.5	29.5	20	16	6.5	15	M14	50-70-90-110-130-150	251-271-292-309-326-343	33
P54150.VZM16X..	50	17.5	29.5	20	16	6.5	15	M16	50-70-90-110-130-150-170-190	267-293-319-344-370-395-423-446	50
P54160.VZM12X..	60	19.5	32	22	16	6.5	15	M12	50-70-90-110	339-352-367-383	33
P54160.VZM14X..	60	19.5	32	22	16	6.5	15	M14	50-70-90-110-130-150	351-371-392-409-426-443	33
P54160.VZM16X..	60	19.5	32	22	16	6.5	15	M16	50-70-90-110-130-150-170-190	367-393-419-444-470-495-523-546	50

### Version P541CIN: Stainless steel mounting foot with stem type A (with hexagonal base) and ball R15 - with SBS non-slip base



Art.	D	H	H1	H3	E	s	R	d1 <sub>6g</sub>	Q	g	F1 (kN)
P54140.INM12X..CIN	40	15	26	17.5	16	6.5	15	M12	50-70-90-110	170-183-198-214	33
P54140.INM14X..CIN	40	15	26	17.5	16	6.5	15	M14	50-70-90-110-130-150	182-202-223-240-258-274	33
P54140.INM16X..CIN	40	15	26	17.5	16	6.5	15	M16	50-70-90-110-130-150-170-190	198-224-250-275-301-326-354-377	50
P54150.INM12X..CIN	50	17.5	29.5	20	16	6.5	15	M12	50-70-90-110	239-252-267-283	33
P54150.INM14X..CIN	50	17.5	29.5	20	16	6.5	15	M14	50-70-90-110-130-150	251-271-292-309-326-343	33
P54150.INM16X..CIN	50	17.5	29.5	20	16	6.5	15	M16	50-70-90-110-130-150-170-190	267-293-319-344-370-395-423-446	50
P54160.INM12X..CIN	60	19.5	32	22	16	6.5	15	M12	50-70-90-110	339-352-367-383	33
P54160.INM14X..CIN	60	19.5	32	22	16	6.5	15	M14	50-70-90-110-130-150	351-371-392-409-426-443	33
P54160.INM16X..CIN	60	19.5	32	22	16	6.5	15	M16	50-70-90-110-130-150-170-190	367-393-419-444-470-495-523-546	50

Enter the selected stud length in place of the two dots . . in the item code. Customised stud length available for a minimum of 100 pieces.

Attention: The expressed load limit F1 is lower than the break load by 30% and is intended as static.



Arbel Agencies LTD.

11 Ba'alei Hamelacha st. Qiryat Bialik P.O.B 1095, ZIP 2751311, ISRAEL

+972(0)48736969 ☎ +972(0)48730708 📠 info@arbel-ltd.com 📧 www.arbel-ltd.com 🌐

