

# P540



## FULL STEEL MOUNTING FOOT WITH ARTICULATED STEM TYPE A - BALL R12.4 AND NON-SLIP BASE

### Materials:

#### P540:

Turned free-cutting steel mounting foot base.

#### P540CIN:

Turned stainless steel mounting foot base (Aisi 303).

### Surface finish:

Smooth.

### Colour:

#### P540:

Standard blue galvanising.

#### P540CIN:

Natural.

### Inserts:

#### P540:

Galvanised steel threaded and articulated stem (ball R.12.5) with hexagonal base (thread tolerance 6g).

#### P540CIN:

Stainless steel threaded and articulated stem (ball R.12.5) with hexagonal base (Aisi 303) (thread tolerance 6g).

### Stem fixing method:

The stem cannot be disassembled. The ball cannot be removed as the edge of its seat has been pressed in.

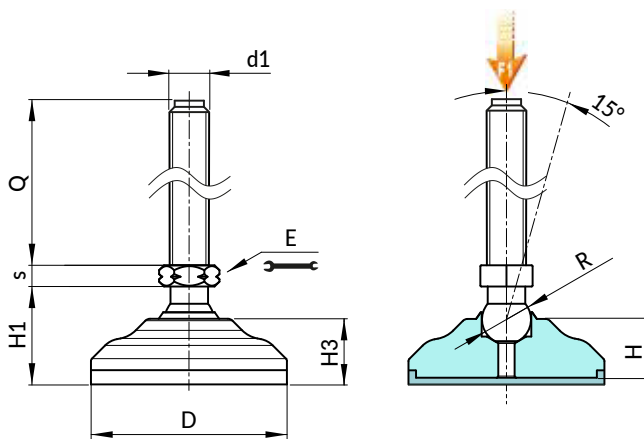
### Non-slip base:

Non-slip base in thermoplastic rubber SBS 75 Shore, black RAL 9011.

Resistant to oils and greases. Push-fit assembly.

### Special requests:

- Upon request and for special quantities inserts can be supplied with customised lengths.



Stock availability as % (🛒)  
90% (●) - 40% (●) - 5% (●)

### Version P540: Galvanised steel mounting foot with stem type A (with hexagonal base) and ball R12.5 - with SBS non-slip base

Art.	D	H	H1	H3	E	s	R	d1 <sub>6g</sub>	Q	g	F1 (kN)
P54040.VZM08X..	40	15	26	17.5	13	5	12.5	M8	45-70	136-143	13
P54040.VZM10X..	40	15	26	17.5	13	5	12.5	M10	45-70-100	144-156-183	23
P54040.VZM12X..	40	15	26	17.5	13	5	12.5	M12	45-70-100	153-172-192	23
P54050.VZM08X..	50	17.5	29.5	20	13	5	12.5	M8	45-70	205-212	13
P54050.VZM10X..	50	17.5	29.5	20	13	5	12.5	M10	45-70-100	213-225-250	23
P54050.VZM12X..	50	17.5	29.5	20	13	5	12.5	M12	45-70-100	222-241-261	23
P54060.VZM08X..	60	19.5	32	22	13	5	12.5	M8	45-70	310-317	13
P54060.VZM10X..	60	19.5	32	22	13	5	12.5	M10	45-70-100	318-330-355	23
P54060.VZM12X..	60	19.5	32	22	13	5	12.5	M12	45-70-100	327-346-366	23

### Version P540CIN: Stainless steel mounting foot with stem type A (with hexagonal base) and ball R12.5 - with SBS non-slip base



Art.	D	H	H1	H3	E	s	R	d1 <sub>6g</sub>	Q	g	F1 (kN)
P54040.INM08X..CIN	40	15	26	17.5	13	5	12.5	M8	45-70	136-143	13
P54040.INM10X..CIN	40	15	26	17.5	13	5	12.5	M10	45-70-100	144-156-183	23
P54040.INM12X..CIN	40	15	26	17.5	13	5	12.5	M12	45-70-100	153-172-192	23
P54050.INM08X..CIN	50	17.5	29.5	20	13	5	12.5	M8	45-70	205-212	13
P54050.INM10X..CIN	50	17.5	29.5	20	13	5	12.5	M10	45-70-100	213-225-250	23
P54050.INM12X..CIN	50	17.5	29.5	20	13	5	12.5	M12	45-70-100	222-241-261	23
P54060.INM08X..CIN	60	19.5	32	22	13	5	12.5	M8	45-70	310-317	13
P54060.INM10X..CIN	60	19.5	32	22	13	5	12.5	M10	45-70-100	318-330-355	23
P54060.INM12X..CIN	60	19.5	32	22	13	5	12.5	M12	45-70-100	327-346-366	23

Enter the selected stud length in place of the two dots . . in the item code. Customised stud length available for a minimum of 100 pieces.

Attention: The expressed load limit F1 is lower than the break load by 30% and is intended as static.

Arbel Agencies LTD.



11 Ba'alei Hamelacha st. Qiryat Bialik P.O.B 1095, ZIP 2751311, ISRAEL

+972(0)48736969 ☎ +972(0)48730708 📠 info@arbel-ltd.com 📧 www.arbel-ltd.com 🌐

