

P534



FULL STEEL MOUNTING FOOT WITH ARTICULATED STEM TYPE A - BALL R24

Materials:

P534:

Turned free-cutting steel mounting foot base.

P534CIN:

Turned stainless steel mounting foot base (Aisi 303).

Surface finish:

Smooth.

Colour:

P534:

Standard blue galvanising.

P534CIN:

Natural.

Inserts:

P534:

Galvanised steel threaded and articulated stem (ball R.24) with hexagonal base (thread tolerance 6g).

P534CIN:

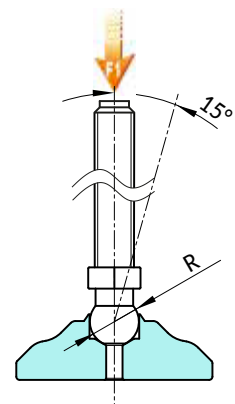
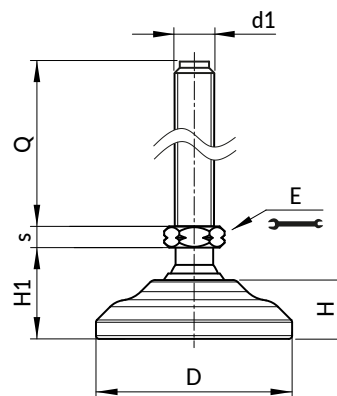
Stainless steel threaded and articulated stem (ball R.24) with hexagonal base (Aisi 303) (thread tolerance 6g).

Stem fixing method:

The stem cannot be disassembled. The ball cannot be removed as the edge of its seat has been pressed in.

Special requests:

- Upon request and for special quantities inserts can be supplied with customised lengths.



Version P534: Galvanised steel mounting foot with stem type A (with hexagonal base) and ball R24

Stock availability as % (🛒)
90% (●) - 40% (●) - 5% (●)

Art.	D	H	H1	E	s	R	d1 _{6g}	Q	g	F1 (kN)
P53460.VZM16X..	60	18	40	13	7	24	M16	90-110-130-150-170	-	60
P53460.VZM20X..	60	18	40	16	7	24	M20	90-110-130-150-170	-	90

Version P534CIN: Stainless steel mounting foot with stem type A (with hexagonal base) and ball R24



Art.	D	H	H1	E	s	R	d1 _{6g}	Q	g	F1 (kN)
P53460.INM16X..CIN	60	18	40	13	7	24	M16	90-110-130-150-170	-	60
P53460.INM20X..CIN	60	18	40	16	7	24	M20	90-110-130-150-170	-	90

Enter the selected stud length in place of the two dots . . in the item code. Customised stud length available for a minimum of 100 pieces.

Attention: The expressed load limit F1 is lower than the break load by 30% and is intended as static.

