

# P533



## FULL STEEL MOUNTING FOOT WITH ARTICULATED STEM TYPE B - BALL R15

### Materials:

#### P533:

Turned free-cutting steel mounting foot base.

#### P533CIN:

Turned stainless steel mounting foot base (Aisi 303).

### Surface finish:

Smooth.

### Colour:

#### P533:

Standard blue galvanising.

#### P533CIN:

Natural.

### Inserts:

#### P533:

Galvanised steel threaded and articulated stem (ball R.15) with milled seat for wrench (type B) (thread tolerance 6g).

#### P533CIN:

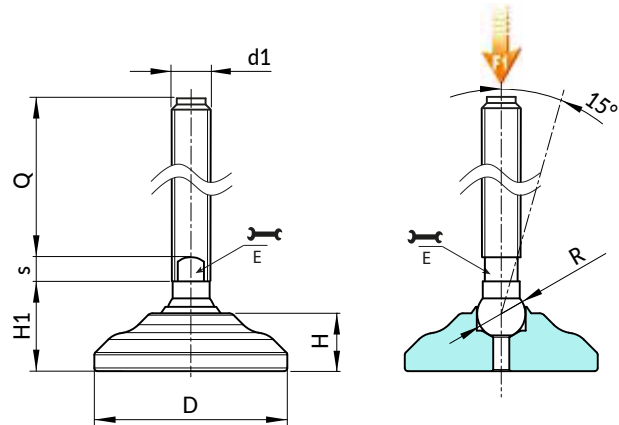
Stainless steel threaded and articulated stem (ball R.15) with milled seat for wrench (type B) (Aisi 304) (thread tolerance 6g).

### Stem fixing method:

The stem cannot be disassembled. The ball cannot be removed as the edge of its seat has been pressed in.

### Special requests:

- Upon request and for special quantities inserts can be supplied with customised lengths.



Version P533: Galvanised steel mounting foot with stem type B (with milled seat for wrench) and ball R15

Stock availability as % (🛒)  
90% (●) - 40% (●) - 5% (●)

Art.	D	H	H1	E	s	R	d1 <sub>6g</sub>	Q	g	F1 (kN)
P53340.VZM20X..	40	11,5	20	13	5	15	M20	45-70	132-139	50
P53350.VZM20X..	50	13,5	23	16	7	15	M20	90-110-130-150-170-190-210	372-404-436-471-503-536-571	50
P53360.VZM20X..	60	18	28	16	7	15	M20	90-110-130-150-170-190-210	472-504-536-571-603-636-671	50
P53340.VZM24X..	40	11,5	20	19	7	15	M24	90-110-130-150-170-190-210	433-493-553-613-673-733-793	50
P53350.VZM24X..	50	13,5	23	19	7	15	M24	90-110-130-150-170-190-210	496-556-616-676-736-796-856	50
P53360.VZM24X..	60	18	28	19	7	15	M24	90-110-130-150-170-190-210	596-656-716-776-836-896-956	50

Version P533CIN: Stainless steel mounting foot with stem type B (with milled seat for wrench) and ball R15



Art.	D	H	H1	E	s	R	d1 <sub>6g</sub>	Q	g	F1 (kN)
P53340.INM20X..CIN	40	11,5	20	16	7	15	M20	90-110-130-150-170-190-210	309-341-373-408-440-473-508	50
P53350.INM20X..CIN	50	13,5	23	16	7	15	M20	90-110-130-150-170-190-210	372-404-436-471-503-536-571	50
P53360.INM20X..CIN	60	18	28	16	7	15	M20	90-110-130-150-170-190-210	472-504-536-571-603-636-671	50
P53340.INM24X..CIN	40	11,5	20	19	7	15	M24	90-110-130-150-170-190-210	433-493-553-613-673-733-793	50
P53350.INM24X..CIN	50	13,5	23	19	7	15	M24	90-110-130-150-170-190-210	496-556-616-676-736-796-856	50

Enter the selected stud length in place of the two dots . . in the item code. Customised stud length available for a minimum of 100 pieces.

Attention: The expressed load limit F1 is lower than the break load by 30% and is intended as static.



Arbel Agencies LTD.

11 Ba'alei Hamelacha st. Qiryat Bialik P.O.B 1095, ZIP 2751311, ISRAEL

+972(0)48736969 ☎ +972(0)48730708 📠 info@arbel-ltd.com 📧 www.arbel-ltd.com 🌐

