

P335



SHAPED ANTI-VIBRATION MOUNT WITH MALE AND FEMALE THREAD

Materials:

Natural rubber (NR),

Rubber hardness:

Hardness 55 Shore A (tolerance $\pm 5\%$).

Surface finish:

Smooth.

Colour:

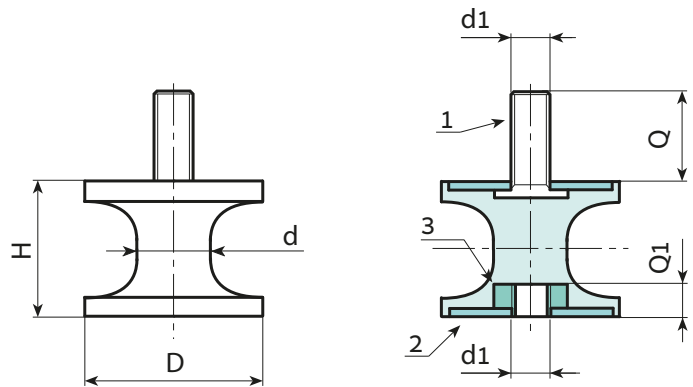
Black (RAL 9011).

Inserts:

- (1) Galvanised boron steel threaded stud (thread tolerance 6g).
- (2) Galvanised weldable steel washer.
- (3) Galvanised boron steel insert with female threaded hole (thread tolerance 6H).

Special requests:

- Upon request and for a minimum quantity of 100 pieces anti-vibration mounts can be supplied with hardness 45 or 70 Shore A.
- Upon request and for a minimum quantity of 100 pieces anti-vibration mounts can be supplied in different materials:
- P336= SBR
- P337= NBR
- P338= EPDM



Stock availability as % (🛒)
90% (●) - 40% (●) - 5% (●)

🛒	Art.	D	H	d1 ^{6g/6H}	Q	Q1
●	P335020.F1510M06X55	20	15	M6	16	6
●	P335025.F2010M06X55	25	20	M6	18	6
●	P335025.F2017M06X55	25	20	M6	18	6
●	P335030.F2020M08X55	30	20	M8	23	8
●	P335030.F3024M08X55	30	20	M8	23	8
●	P335040.F3019M08X55	40	30	M8	23	8
●	P335040.F3027M08X55	40	30	M8	23	8
●	P335040.F4025M08X55	40	40	M8	23	8
●	P335040.F4835M08X55	40	48	M8	23	8
●	P335050.F3028M10X55	50	30	M10	28	10
●	P335050.F3039M10X55	50	30	M10	28	10
●	P335050.F5035M10X55	50	50	M10	28	10
●	P335080.F6060M12X55	80	60	M12	37	12