

P330



SHAPED ANTI-VIBRATION MOUNT WITH DOUBLE THREADED STUD

Materials:

Natural rubber (NR),

Rubber hardness:

Hardness 55 Shore A (tolerance $\pm 5\%$).

Surface finish:

Smooth.

Colour:

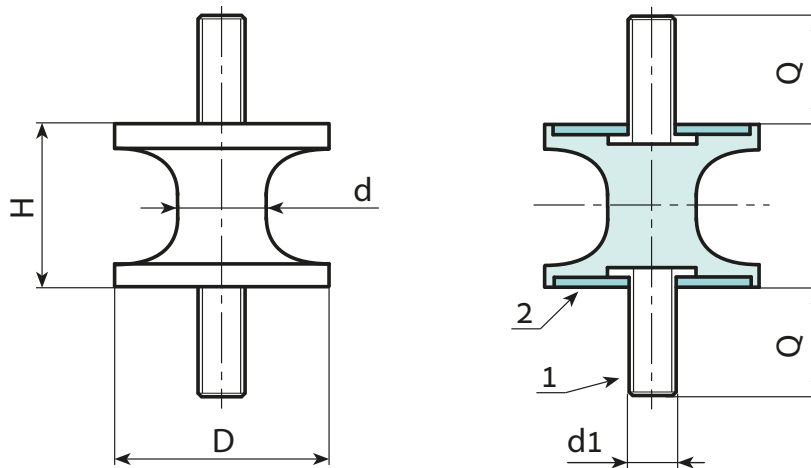
Black (RAL 9011).

Inserts:

- (1) Galvanised boron steel threaded stud (thread tolerance 6g).
- (2) Galvanised weldable steel washer.

Special requests:

- Upon request and for a minimum quantity of 100 pieces anti-vibration mounts can be supplied with hardness 45 or 70 Shore A.
- Upon request and for a minimum quantity of 100 pieces anti-vibration mounts can be supplied in different materials:
- P331= SBR
- P332= NBR
- P333= EPDM



Stock availability as % (🛒)
90% (●) - 40% (●) - 5% (●)

🛒	Art.	D	H	d1 _{6g}	Q
●	P330012.F1507M0455	12	15	M4	10
●	P330020.F1510M0655	20	15	M6	16
●	P330025.F2010M0655	25	20	M6	18
●	P330025.F2017M0655	25	20	M6	18
●	P330030.F2020M0855	30	20	M8	23
●	P330030.F3024M0855	30	20	M8	23
●	P330040.F3019M0855	40	30	M8	23
●	P330040.F3027M0855	40	30	M8	23
●	P330040.F4025M0855	40	40	M8	23
●	P330040.F4835M0855	40	48	M8	23
●	P330050.F3028M1055	50	30	M10	28
●	P330050.F3039M1055	50	30	M10	28
●	P330050.F5035M1055	50	50	M10	28
●	P330075.F4055M1255	75	40	M12	37
●	P330080.F6060M1255	80	60	M12	37