

P315



CYLINDRICAL ANTI-VIBRATION MOUNT WITH SINGLE THREADED STUD

Materials:

Natural rubber (NR),

Rubber hardness:

Hardness 55 Shore A (tolerance $\pm 5\%$).

Surface finish:

Smooth.

Colour:

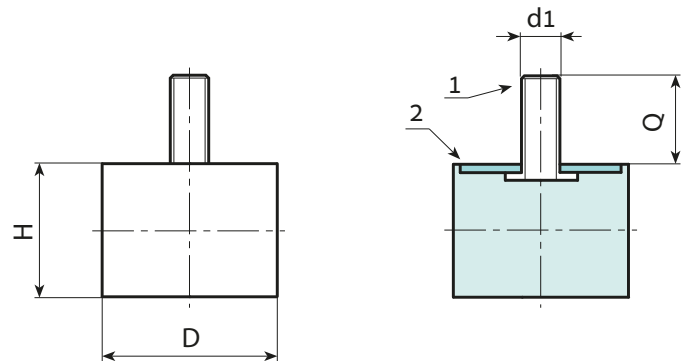
Black (RAL 9011).

Inserts:

- (1) Galvanised boron steel threaded stud (thread tolerance 6g).
- (2) Galvanised weldable steel washer.

Special requests:

- Upon request and for a minimum quantity of 100 pieces anti-vibration mounts can be supplied with hardness 45 or 70 Shore A.
- Upon request and for a minimum quantity of 100 pieces anti-vibration mounts can be supplied in different materials:
- P316= SBR
- P317= NBR
- P318= EPDM



Stock availability as % (🛒)
90% (●) - 40% (●) - 5% (●)

🛒	Art.	D	H	d1 _{6g}	Q	g	Compression stiffness (N/mm)
●	P315010.F10M04X1055	10	10	M4	10	2	38
●	P315015.F10M04X1055	15	10	M4	10	4	116.6
●	P315015.F15M04X1055	15	15	M4	10	5	48.3
●	P315015.F20M04X1055	15	20	M4	10	6	38.5
●	P315015.F30M04X1055	15	30	M4	10	7	25.7
●	P315020.F15M06X1555	20	15	M6	15	11	95.9
●	P315020.F20M06X1555	20	20	M6	15	14	57
●	P315020.F30M06X1555	20	30	M6	15	20	39.5
●	P315025.F15M06X1855	25	15	M6	18	17	173
●	P315025.F20M06X1855	25	20	M6	18	20	109
●	P315025.F30M06X1855	25	30	M6	18	24	63.9
●	P315030.F15M08X2055	30	15	M8	20	30	293.3
●	P315030.F20M08X2055	30	20	M8	20	34	160
●	P315030.F30M08X2055	30	30	M8	20	41	87
●	P315040.F20M08X2355	40	20	M8	23	53	354.4
●	P315040.F30M08X2355	40	30	M8	23	68	183.3
●	P315040.F40M10X2855	40	40	M10	28	90	120.5
●	P315050.F20M10X2855	50	20	M10	28	87	623.4
●	P315050.F30M10X2855	50	30	M10	28	106	310.2
●	P315050.F40M10X2855	50	40	M10	28	108	204
●	P315060.F40M10X2855	60	40	M10	28	186	319.6
●	P315070.F40M10X2855	70	40	M10	28	254	503.5
●	P315070.F50M10X2855	70	50	M10	28	294	322.4
●	P315075.F25M12X3755	75	25	M12	37	224	1274.6
●	P315075.F40M12X3755	75	40	M12	37	296	528.3
●	P315075.F50M12X3755	75	50	M12	37	340	378.8
●	P315100.F40M16X4255	100	40	M16	42	584	1167.5
●	P315100.F50M16X4255	100	50	M16	42	666	1489