

P305



CYLINDRICAL ANTI-VIBRATION MOUNT WITH MALE AND FEMALE THREAD

Materials:

Natural rubber (NR),

Rubber hardness:

Hardness 55 Shore A (tolerance $\pm 5\%$).

Surface finish:

Smooth.

Colour:

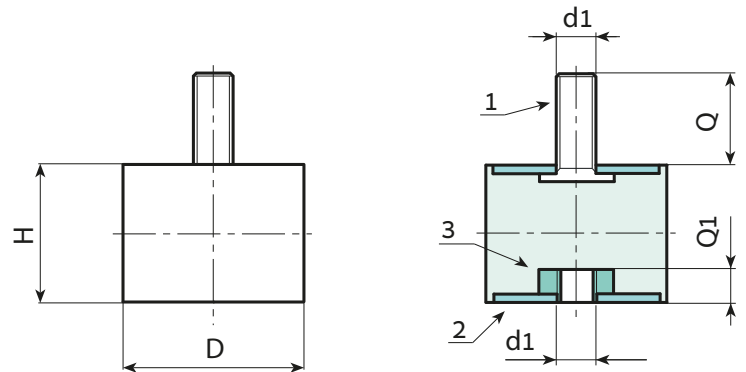
Black (RAL 9011).

Inserts:

- (1) Galvanised boron steel threaded stud (thread tolerance 6g).
- (2) Galvanised weldable steel washer.
- (3) Galvanised boron steel insert with female threaded hole (thread tolerance 6H).

Special requests:

- Upon request and for a minimum quantity of 100 pieces anti-vibration mounts can be supplied with hardness 45 or 70 Shore A.
- Upon request and for a minimum quantity of 100 pieces anti-vibration mounts can be supplied in different materials:
- P306= SBR
- P307= NBR
- P308= EPDM



Stock availability as % (🛒)
90% (●) - 40% (●) - 5% (●)

🛒	Art.	D	H	d1 _{6g/6H}	Q	Q1	g	Compression stiffness (N/mm)
●	P305010.F15M04X1055	10	15	M4	10	4	5	46.6
●	P305015.F15M04X1055	15	15	M4	10	4	7	57.1
●	P305015.F20M04X1055	15	20	M4	10	4	7.5	45.1
●	P305020.F20M06X1555	20	20	M6	15	6	18	79.2
●	P305020.F25M06X1555	20	25	M6	15	6	21	36.3
●	P305025.F15M06X1855	25	15	M6	18	6	27	213.8
●	P305025.F20M06X1855	25	20	M6	18	6	26	131.9
●	P305025.F30M06X1855	25	30	M6	18	8	37	67.9
●	P305030.F15M08X2055	30	15	M8	20	8	41	461.7
●	P305030.F20M08X2055	30	20	M8	20	8	47	192.9
●	P305030.F30M08X2055	30	30	M8	20	8	52	101.4
●	P305040.F20M08X2355	40	20	M8	23	8	73	298.3
●	P305040.F30M08X2355	40	30	M8	23	8	86	180.5
●	P305040.F40M10X2855	40	40	M10	28	10	113	126.9
●	P305050.F30M10X2855	50	30	M10	28	10	142	373.2
●	P305050.F40M10X2855	50	40	M10	28	10	156	245.3
●	P305050.F45M10X2855	50	45	M10	28	10	172	180.5
●	P305050.F50M10X2855	50	50	M10	28	10	176	164.4
●	P305060.F30M10X2855	60	30	M10	28	10	195	591.9
●	P305060.F40M10X2855	60	40	M10	28	10	233	350.6
●	P305070.F40M10X2855	70	40	M10	28	10	314	510.2
●	P305075.F25M12X3755	75	25	M12	37	12	296	1177.1
●	P305075.F40M12X3755	75	40	M12	37	12	383	598.5
●	P305075.F55M14X3755	75	55	M14	37	14	482	412.7
●	P305100.F40M16X4255	100	40	M16	42	16	768	1478.5
●	P305100.F55M16X4255	100	55	M16	42	16	865	888.3
●	P305100.F75M16X4255	100	75	M16	42	16	1058	541.5

Arbel Agencies LTD.

11 Ba'alei Hamelacha st. Qiryat Bialik P.O.B 1095, ZIP 2751311, ISRAEL

+972(0)48736969 ☎ +972(0)48730708 📠 info@arbel-ltd.com 📧 www.arbel-ltd.com 🌐

