

P203

MOUNTING FOOT WITH REVOLVING THREADED STUD



Materials:

High density polyethylene.

Surface finish:

Satin.

Colour:

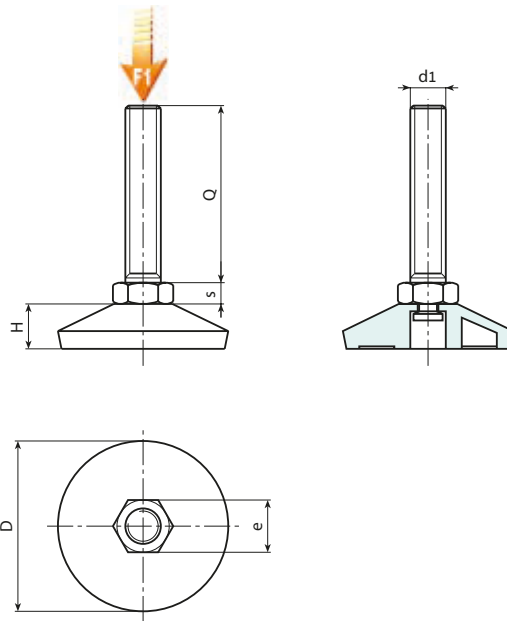
Black (RAL 9011).

Inserts:

Revolving threaded stud in galvanised steel (thread tolerance 6g).

Special requests:

- None.



Stock availability as % (🛒)
90% (●) - 40% (●) - 5% (●)

🛒	Art.	D	H	e	s	d1 _{6g}	Q	g	F1 (N)
●	P20340.TM10X..01	37	11.5	17	6.5	M10	40-60	39-49	2000
●	P20350.TM10X..01	49	13	17	6.5	M10	40-60	44-54	2000

Enter the selected stud length in place of the two dots . . in the item code.

Attention: The expressed load limit F1 is lower than the break load by 30% and is intended as static.



11 Ba'alei Hamelacha st. Qiryat Bialik P.O.B 1095, ZIP 2751311, ISRAEL
+972(0)48736969 ☎ +972(0)48730708 📠 info@arbel-ltd.com 🌐 www.arbel-ltd.com 🌐

