

# P202

## MOUNTING FOOT WITH FIXED THREADED STUD



**Materials:**

High density polyethylene.

**Surface finish:**

Satin.

**Colour:**

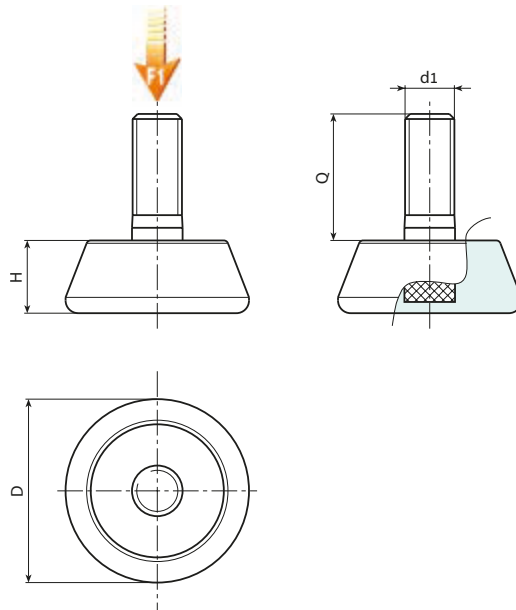
Black (RAL 9011).

**Inserts:**

Galvanised steel threaded stud (thread tolerance 6g).

**Special requests:**

- Upon request and for special quantities inserts can be supplied with customised lengths (minimum quantity 10,000).



Stock availability as % (🛒)  
90% (●) -40% (●) -5% (●)

🛒	Art.	D	H	d1 <sub>6g</sub>	Q	📦	F1 (N)
●	P20230.TM08X2001	29	11.5	M8	20	17	1000
●	P20230.TM10X2001	29	11.5	M10	20	20	1000
●	P20240.TM08X2501	40	13.5	M8	25	29	1000
●	P20240.TM10X2501	40	13.5	M10	25	33	1000
●	P20250.TM10X3501	48.5	16.5	M10	35	54	1000
●	P20250.TM12X3501	48.5	16.5	M12	35	65	1000
●	P20260.TM10X3701	60.5	17.5	M10	37	78	1000
●	P20260.TM12X3701	60.5	17.5	M12	37	8	1000

Attention: The expressed load limit F1 is lower than the break load by 30% and is intended as static.

Arbel Agencies LTD.



11 Ba'alei Hamelacha st. Qiryat Bialik P.O.B 1095, ZIP 2751311, ISRAEL  
+972(0)48736969 ☎ +972(0)48730708 📠 info@arbel-ltd.com 📧 www.arbel-ltd.com 🌐

