

# P200

## KNURLED MOUNTING FOOT WITH FIXED THREADED STUD



### Materials:

High density polyethylene.

### Surface finish:

Satin.

### Colour:

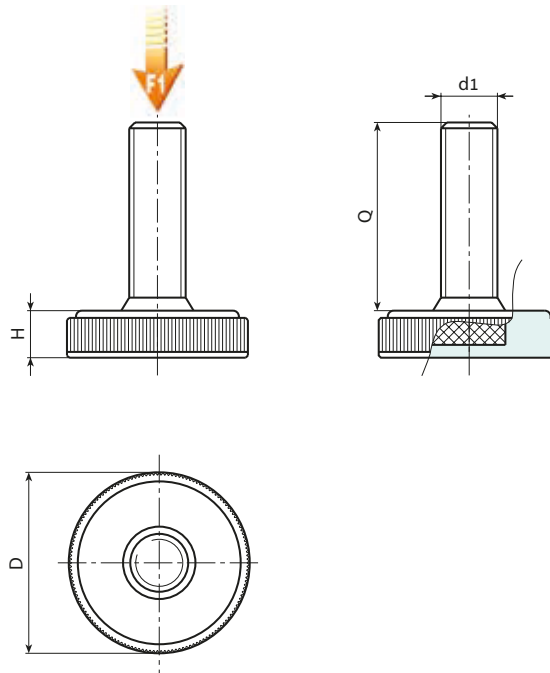
Black (RAL 9011).

### Inserts:

Galvanised steel threaded stud (thread tolerance 6g).

### Special requests:

- Upon request and for special quantities inserts can be supplied with customised lengths (minimum quantity 10,000).



Stock availability as % (🛒)  
90% (●) - 40% (●) - 5% (●)

🛒	Art.	D	H	d1 <sub>6g</sub>	Q	g	F1 (N)
●	P20025.TM06X1701	25	6	M6	17	7	1000
●	P20025.TM08X2501	25	6	M8	25	14	1000
●	P20025.TM10X3501	25	6	M10	35	25	1000
●	P20035.TM08X2501	35	8	M8	25	18	1000
●	P20035.TM10X..01	35	8	M10	25-40	25-32	1000
●	P20040.TM10X3501	40	9	M10	35	35	1000
●	P20050.TM10X3501	50	10	M10	35	40	1000
●	P20060.TM10X3501	60	10.5	M10	35	50	1000

Enter the selected stud length in place of the two dots . . in the item code.

Attention: The expressed load limit F1 is lower than the break load by 30% and is intended as static.