

# O515



## BASIC PUNCHED STEEL HINGE WITH THROUGH HOLES

### Materials:

(1) Steel punched and bent.

### Surface finish:

#### Colour:

(01) Black epoxy powder coated (RAL 9011).

(Z) Standard blue galvanising.

#### Inserts:

(3) Stainless steel hinge pivot pin (Aisi 304).

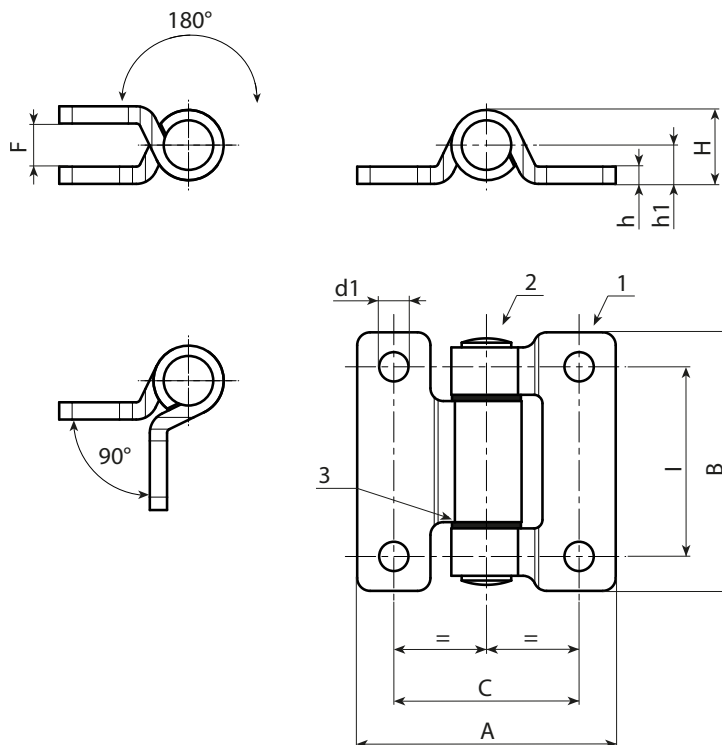
(4) Natural PA6 separating washer inserted between the two knuckles.

#### Holes:

Through holes obtained by punching.

#### Special Requests:

- None.



Black coated version code 01 ending.



Stock availability as % (🛒)  
90% (●) - 40% (●) - 5% (●)

🛒	Art.	C	I	A	B	F	h	H	h1	d1	📦
●	O515040.VG06.501	40	40	60	60	10	4	17	9	6,8	143

Galvanised version code Z ending.

🛒	Art.	C	I	A	B	F	h	H	h1	d1	📦
●	O515040.VG06.5Z	40	40	60	60	10	4	17	9	6,8	143



Arbel Agencies LTD.  
11 Ba'alei Hamelacha st. Qiryat Bialik P.O.B 1095, ZIP 2751311, ISRAEL  
+972(0)48736969 ☎ +972(0)48730708 📠 info@arbel-ltd.com 📧 www.arbel-ltd.com 🌐

