

# O510

UPDATE



## VERTICAL ZAMAK HINGE WITH EXTENSION

### Materials:

(1-2) Die-cast zamak alloy (zinc, aluminium and copper alloy).

### Surface finish:

Light sandblasting.

### Colour:

(O1) Black epoxy powder coated (RAL 9011).

(Z) Standard blue galvanising.

### Inserts:

(3) Stainless steel hinge pivot pin (Aisi 304).

(4) Natural PA6 spacer bush.

### EXTENSION:

The hinge can be supplied with the extension (5) included. In your order add the letter P to the end of the code.

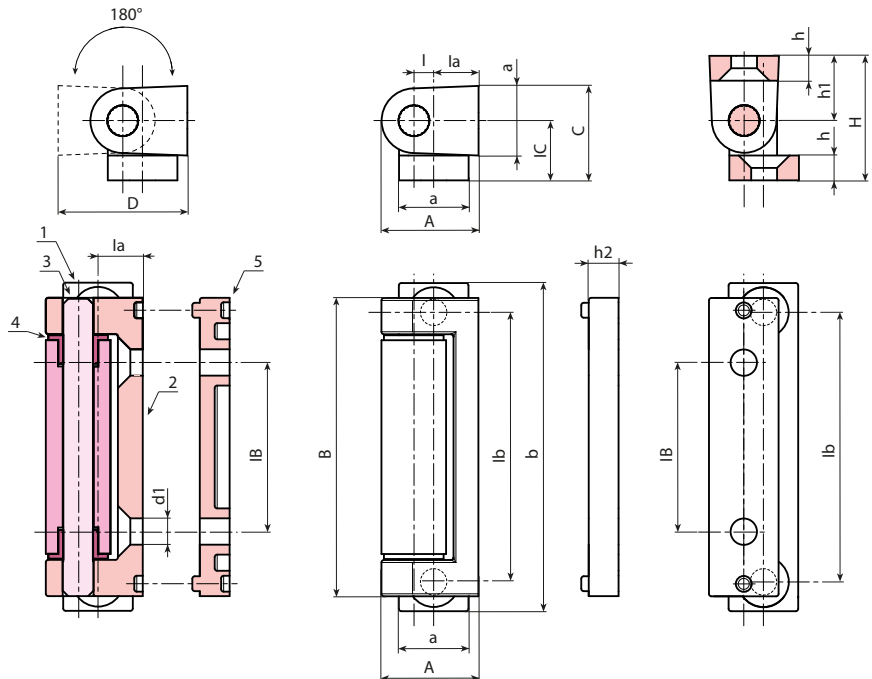
### Holes:

Through holes obtained by moulding. 90° countersunk hole for UNI 5933 – UNI 6109 screws.

### Special Requests:

- It is possible to order, separately, an additional thickness of 6 mm in black using code no. O51160.ZG05.0501; or a galvanised one using code no. O51160.ZG05.05Z.

**ATTENTION:** The hinge is delivered with the pivot pin unassembled, as it must be removed in any case before mounting on the door.



Stock availability as % (🛒)  
90% (●) - 40% (●) - 5% (●)

### Black coated version code O1 ending

🛒	Art.	lb	IB	A	a	B	b	C	D	I	h	h1	IC	la	d1	📦
●	O510054.ZG05.501	54	34	19,5	14	60	66	19	24	4	5	13	12,5	9	5,3	100

### Black coated version code O1 ending + extension

🛒	Art.	lb	IB	A	a	B	b	C	D	H	I	h	h1	IC	la	h2	d1	📦
●	O510054.ZG05.501P	54	34	19,5	14	60	66	19	24	25	4	5	13	12,5	9	6	5,3	111

### Galvanised version code Z ending

🛒	Art.	lb	IB	A	a	B	b	C	D	I	h	h1	IC	la	d1	📦
●	O510054.ZG05.5Z	54	34	19,5	14	60	66	19	24	4	5	13	12,5	9	5,3	100

### Galvanised version code Z ending + extension

🛒	Art.	lb	IB	A	a	B	b	C	D	H	I	h	h1	IC	la	h2	d1	📦
●	O510054.ZG05.5ZP	54	34	19,5	14	60	66	19	24	25	4	5	13	12,5	9	6	5,3	111



Arbel Agencies LTD.  
11 Ba'alei Hamelacha st. Qiryat Bialik P.O.B 1095, ZIP 2751311, ISRAEL  
+972(0)48736969 ☎ +972(0)48730708 📠 info@arbel-ltd.com 📧 www.arbel-ltd.com 🌐

