

# O460

## HINGE WITH ADJUSTABLE FRICTION AND THROUGH HOLE



### Materials:

Reinforced polyamide.  
Resistant to oils and greases.

### Surface finish:

Satin.

### Colour:

Black (RAL 9011).

### Inserts:

- (4) Galvanised steel pin.
- (1) Stainless steel friction adjusting screw (Aisi 304).
- (2) Stainless steel nut for adjusting screw (Aisi 304).
- (3) Pivot pin cap in PA6.

### Hole:

Through hole obtained by moulding the plastic for fixing screw (O46032=M04 O46047=M06).

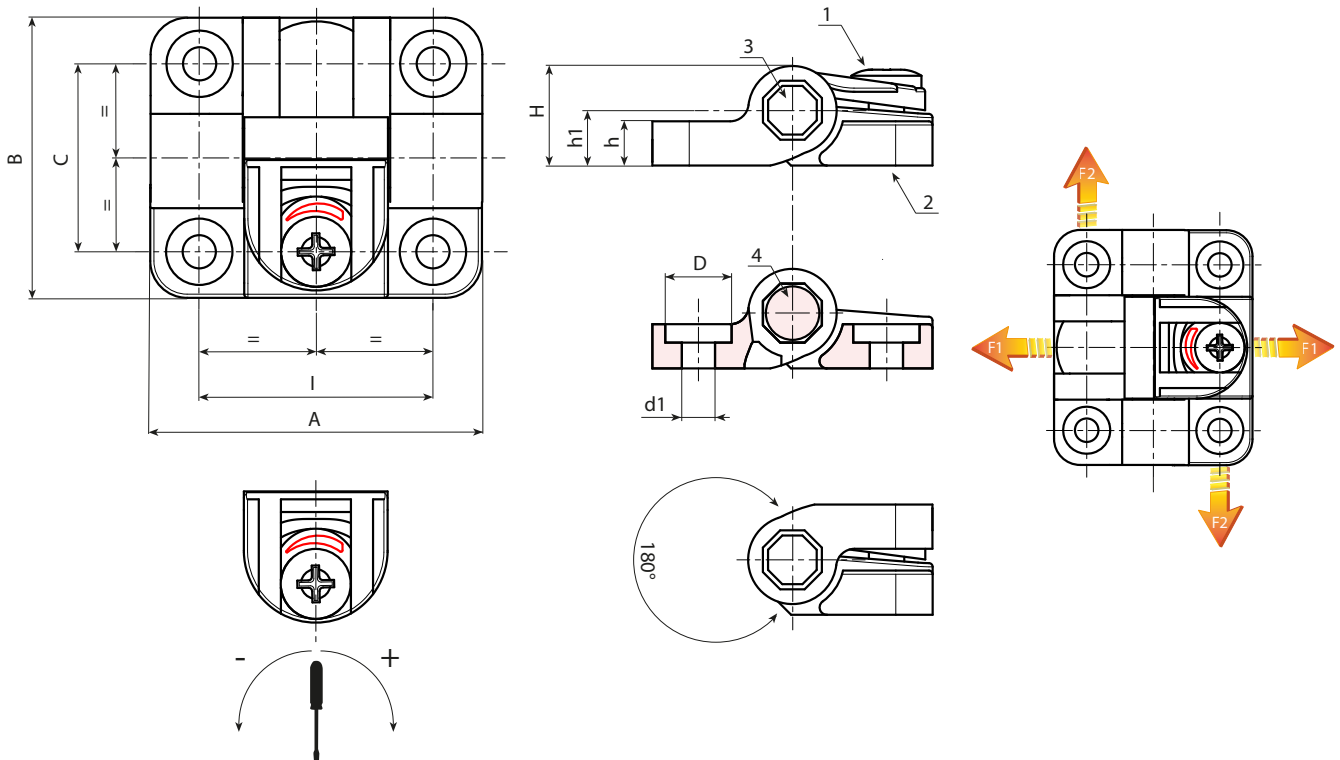
### Adjusting the friction device:

Using a screw driver to turn the adjusting screw (1), the friction can be set to a maximum of:

- O460032: 0.8 Nm.
- O460047: 4 Nm.

### Special Requests:

- None.



Stock availability as % (🛒)  
90% (●) - 40% (●) - 5% (●)

🛒	art.	I	C	A	B	H	h	h1	D	d1	📦	F1 (N)	F2 (N)
●	O460032.TG04.501	32	25,5	45	38	13,5	6	7,5	9	4,5 (M4)	17	700	1400
●	O460047.TG06.501	47,5	38	63,5	58	20,5	8,5	11,5	12,5	6,5 (M6)	47	1500	2250