

O455



UNIVERSAL HINGE WITH THREADED STUD AND INSERT TO MOUNT ANGULAR DOOR

Materials:

Reinforced polyamide.
Resistant to oils and greases.

Surface finish:

Satin.

Colour:

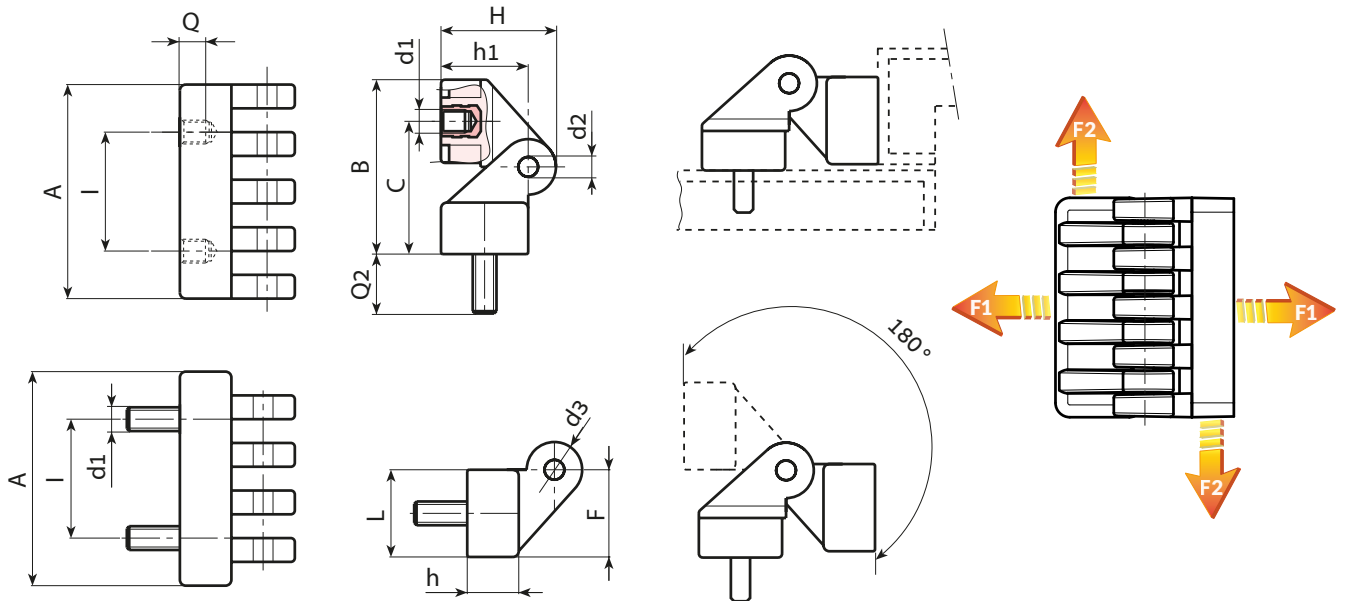
Black (RAL 9011).

Inserts:

Galvanised steel pin.
Galvanised steel threaded stud (thread tolerance 6g).
Brass insert with female threaded hole (thread tolerance 6H).

Special Requests:

- None.



Stock availability as % (🛒)
90% (●) - 40% (●) - 5% (●)

art.	I	C	A	B	L	F	h	h1	H	d2	d3	d1	Q	Q2	F1(N)	F2(N)
O45554.TM0601	30	22,5	54	44	21,5	22	13	22,5	30	5	15	M6	7	15	72	295 1670