

O431

FLAT HINGE WITH THREADED STUD



Materials:

Reinforced polyamide.
Resistant to oils and greases.

Surface finish:

Satin.

Colour:

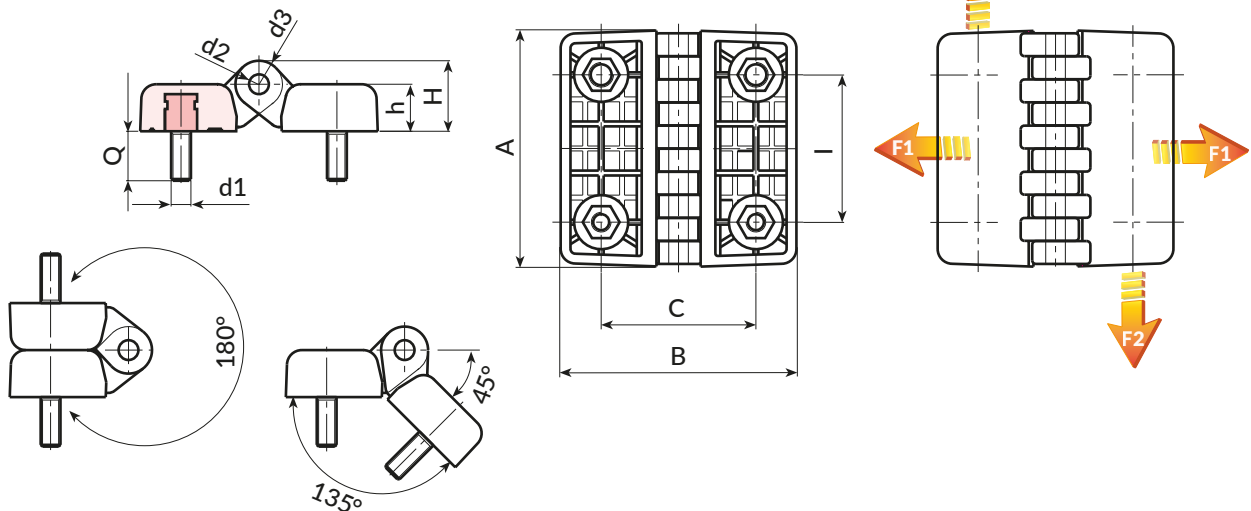
Black (RAL 9011).

Inserts:

Galvanised steel pin.
Galvanised steel threaded stud (thread tolerance 6g).

Special Requests:

- Upon request and for special quantities inserts can be supplied in different materials.
- Upon request and for special quantities available in the colours indicated in the chart [page].



Stock availability as % (🛒)
90% (●) - 40% (●) - 5% (●)

🛒	art.	l	C	A	B	h	H	d2	d3	d16g	Q	📦	F1 (N)	F2 (N)
●	O43130.TM05X1501	30	30	48	48	10.5	15.5	5	10	M5	15	49	1780	1370
●	O43130.TM06X1501	30	30	48	48	10.5	15.5	5	10	M6	15	52	1780	1370
●	O43140.TM06X2001	40	40	64	64	13	19	5	12	M6	20	90	4120	1760
●	O43140.TM08X2001	40	40	64	64	13	19	5	12	M8	20	100	4120	1760
●	O43160.TM08X2001	60	63	96	96	19	28.5	8	19	M8	20	260	4900	1275
●	O43160.TM10X2001	60	63	96	96	19	28.5	8	19	M10	20	278	4900	1275