

O400CIN

HINGE WITH THROUGH HOLES WITH STAINLESS STEEL PIN



INOX

Materials:

Reinforced polyamide.
Resistant to oils and greases.

Surface finish:

Satin.

Colour:

Black (RAL 9011).

Inserts:

Stainless steel pin (Aisi 303).

Hole:

Version TS:

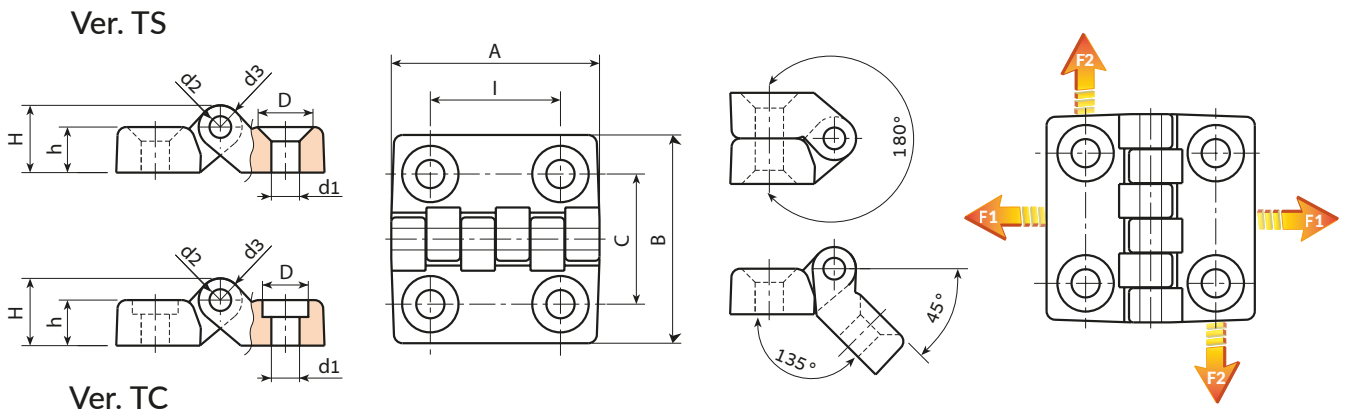
Through hole obtained by moulding the plastic. Seat for countersunk screw DIN 7991 / UNI 5933.

Version TC:

Through hole obtained by moulding the plastic. Seat for cylindrical head screw DIN 912 / UNI 5931.

Special Requests:

- Upon request and for special quantities available in the colours indicated in the chart [page].



Version O400-TS CIN: with holes for countersunk head screws

Stock availability as % (🛒)
90% (●) - 40% (●) - 5% (●)

🛒	art.	I	C	A	B	h	H	D	d2	d3	d1	g	F1 (N)	F2 (N)
●	O40020.TG04.501TSCIN	20	20	32	32	7	10,5	8,5	3	7	4,5	9	1440	490
●	O40030.TG06.501TSCIN	30	30	48	48	10,5	15,5	12,5	5	10	6,5	27	1960	1470
●	O40040.TG06.501TSCIN	40	40	64	64	13	19	12,5	5	12	6,5	53	2850	1520
●	O40060.TG08.501TSCIN	60	63	96	96	16	24	16,5	8	16	8,5	152	4300	1810
●	O40060.TG10.501TSCIN	60	63	96	96	16	24	20,5	8	16	10,5	152	4300	1810

Version O400-TC CIN: with holes for cylindrical head screws

🛒	art.	I	C	A	B	h	H	D	d2	d3	d1	g	F1 (N)	F2 (N)
●	O40020.TG04.501TCCIN	20	20	32	32	7	10,5	7,5	3	7	4,5	9	1440	490
●	O40030.TG06.501TCCIN	30	30	48	48	10,5	15,5	10,5	5	10	6,5	27	1960	1470
●	O40040.TG06.501TCCIN	40	40	64	64	13	19	10,5	5	12	6,5	53	2850	1520
●	O40060.TG08.501TCCIN	60	63	96	96	16	24	13,5	8	16	8,5	152	4300	1810
●	O40060.TG10.501TCCIN	60	63	96	96	16	24	16,5	8	16	10,5	152	4300	1810