

O300CIN

STAINLESS STEEL HINGE WITH THROUGH HOLES

+200°
-30°

Aisi
316

RoHS
COMPLIANT

INOX

Materials:

Stainless steel (Aisi 316).

Surface finish:

Natural brushing.

Colour:

Natural.

Inserts:

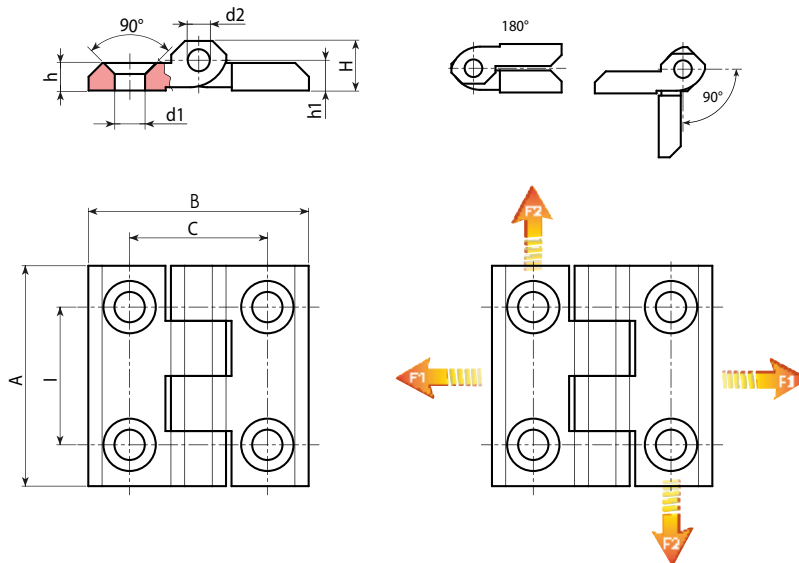
Stainless steel pivot pin (Aisi 303).

Holes:

Through holes obtained by moulding. 90° countersunk hole for UNI 5933
- UNI 6109 screws.

Special Requests:

- None.



Stock availability as % (🛒)
90% (●) - 40% (●) - 5% (●)

🛒	Art.	l	C	A	B	H	h	h1	d2	d1	📦	F1 (N)	F2 (N)
●	O30025.HG5.5CIN	25	25	40	40	9	5	5,5	4	5,5	60	-	-
●	O30030.HG6.5CIN	30	30	50	50	11,5	5,5	6,5	6	6,5	100	19600	9800
●	O30036.HG8.5CIN	36	36	60	60	15	7,7	8,5	8	8,5	190	-	-



Arbel Agencies LTD.
11 Ba'alei Hamelacha st. Qiryat Bialik P.O.B 1095, ZIP 2751311, ISRAEL
+972(0)48736969 ☎ +972(0)48730708 📠 info@arbel-ltd.com 🌐 www.arbel-ltd.com 🌐

