

O300

METAL HINGE WITH THROUGH HOLES



Materials:

Die-cast zamak alloy (zinc, aluminium and copper alloy).

Surface finish:

Smooth.

Colour:

O300:

Black cataphoresis coating.

O300 L:

Chromed polished. (ATTENTION: ALMOST OUT OF STOCK)

O300 Z:

Standard blue galvanising.

Inserts:

Stainless steel pivot pin (Aisi 303).

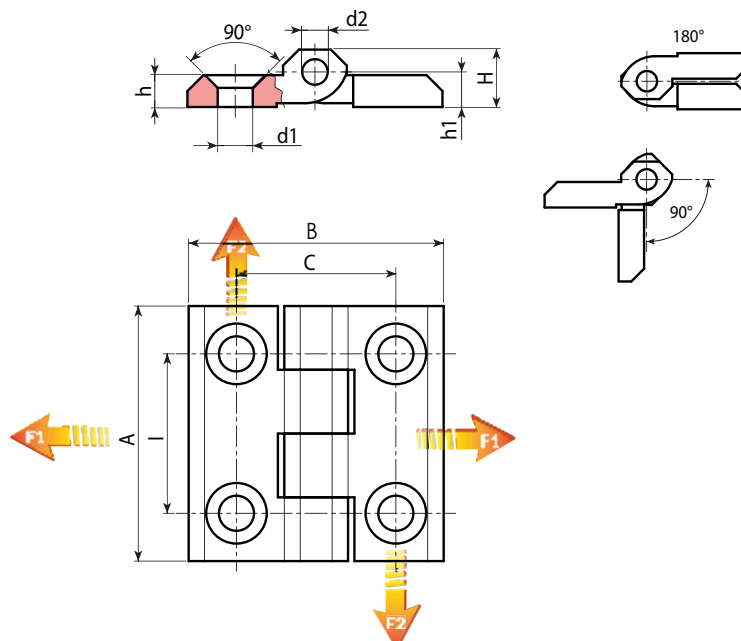
Holes:

Through holes obtained by moulding. 90° countersunk hole for UNI 5933

- UNI 6109 screws.

Special Requests:

- None.



Version O300: zamak hinge, black cataphoresis coating



Stock availability as % (🛒)
90% (●) - 40% (●) - 5% (●)

🛒	Art.	I	C	A	B	H	h	h1	d2	d1	📦	F1 (N)	F2 (N)
●	O30025.ZG5.501	25	25	40	40	10	5	5.5	4	5.5	45	-	-
●	O30030.ZG6.501	30	30	50	50	11,5	6	6	6	6,5	90	6230	1420
●	O30036.ZG6.501	36	36	60	60	15	8	9	6	6,5	115	-	-
●	O30036.ZG8.501	36	36	60	60	15	8	9	6	8,5	110	-	-
●	O30040.ZG6.501	40	40	64	64	11,5	6	6,5	6	6,5	115	4340	4200

Version O300L: chromed zamak hinge (ALMOST OUT OF STOCK - it will be removed from the catalogue)

🛒	Art.	I	C	A	B	H	h	h1	d2	d1	📦	F1 (N)	F2 (N)
●	O30025.ZG5.5L	25	25	40	40	9	5	5.5	4	5.5	47	-	-
●	O30030.ZG6.5L	30	30	50	50	11.5	6	6	6	6.5	92	6230	1420
●	O30036.ZG8.5L	36	36	60	60	15	8	9	8	8.5	100	-	-

Version O300Z: galvanised zamak hinge

🛒	Art.	I	C	A	B	H	h	h1	d2	d1	📦	F1 (N)	F2 (N)
●	O30025.ZG5.5Z	25	25	40	40	10	5	5,5	4	5,5	45	-	-
●	O30030.ZG6.5Z	30	30	50	50	11,5	6	6	6	6,5	90	6230	1420
●	O30036.ZG8.5Z	36	36	60	60	15	8	9	6	8,5	110	-	-



Arbel Agencies LTD.
11 Ba'alei Hamelacha st. Qiryat Bialik P.O.B 1095, ZIP 2751311, ISRAEL
+972(0)48736969 ☎ +972(0)48730708 📠 info@arbel-ltd.com 📧 www.arbel-ltd.com 🌐

