

N776

UPDATE



4-LOBE CONTROL KNOB WITH THREADED STUD

Materials:

Reinforced polyamide.
Resistant to oils and greases.

Surface finish:

Satin.

Colour:

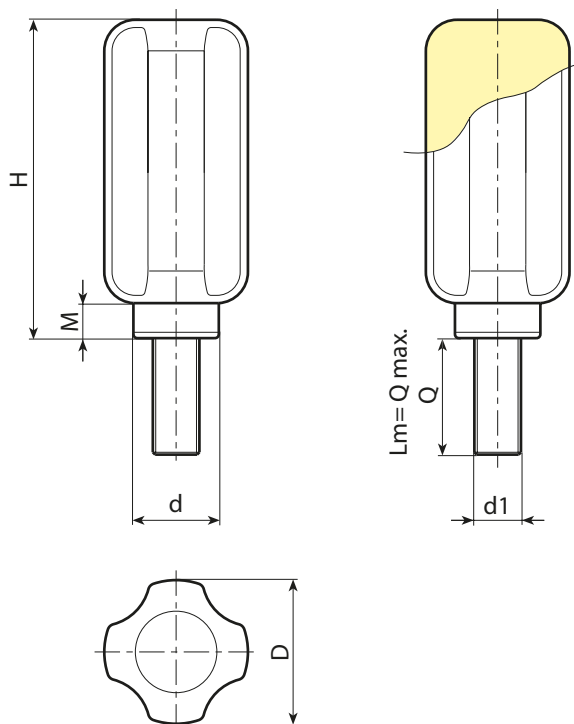
Black (RAL 9011).

Inserts:

Galvanised steel threaded stud (thread tolerance 6g).

Special requests:

- Upon request and for special quantities inserts can be supplied with customised lengths.
- Upon request and for special quantities inserts can be supplied in different materials.



Stock availability as % (🛒)
90% (●) - 40% (●) - 5% (●)

🛒	Art.	D	H	M	d	LM	d1 _{6g}	Q	🛒
●	N77638.TM10X2001	37	81	9	22	130	M10	20	127
●	N77638.TM12X3001	37	81	9	22	130	M12	30	135

Customised stud length available for a minimum of 100 pieces.
LM = Maximum mouldable length.



Arbel Agencies LTD.
11 Ba'alei Hamelacha st. Qiryat Bialik P.O.B 1095, ZIP 2751311, ISRAEL
+972(0)48736969 ☎ +972(0)48730708 📠 info@arbel-ltd.com 📧 www.arbel-ltd.com 🌐



N