

N775



4-LOBE CONTROL KNOB WITH THREADED HOLE INSERT

Materials:

Reinforced polyamide.
Resistant to oils and greases.

Surface finish:

Satin.

Colour:

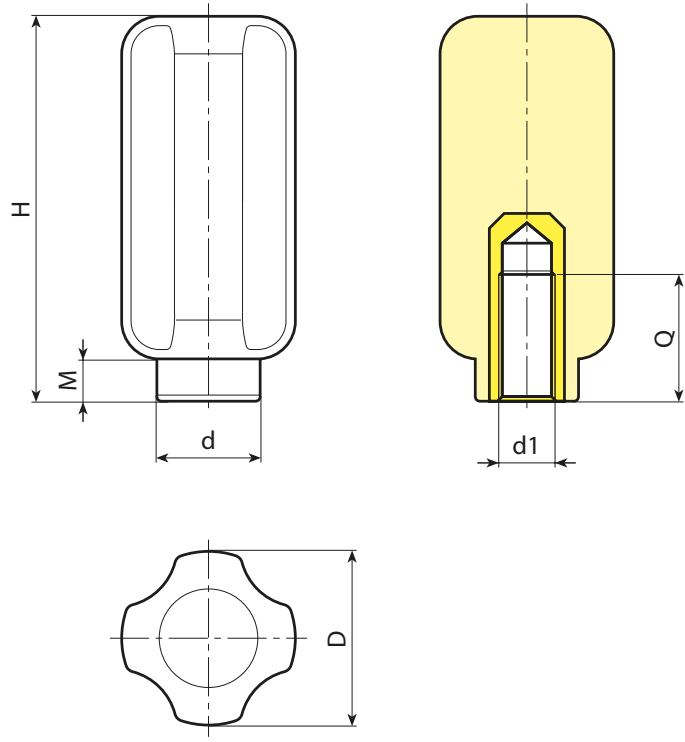
Black (RAL 9011).

Inserts:

Galvanised steel insert with female threaded hole (thread tolerance 6H).

Special requests:

- Upon request and for special quantities inserts can be supplied in different materials.



Stock availability as % (🛒)
90% (●) - 40% (●) - 5% (●)

🛒	Art.	D	H	M	d	d1 _{6H}	Q	📦
●	N77538.TM0801	37	81	9	22	M8	20	94
●	N77538.TM1001	37	81	9	22	M10	20	128
●	N77538.TM1201	37	81	9	22	M12	30	142
●	N77538.TM1401	37	81	9	22	M14	29	135
●	N77538.TM1601	37	81	9	22	M16	18	116