

N741

UPDATE

+135°
-30°

PA6
+G.F.

UL94
HB

RoHS
COMPLIANT

KNURLED CONTROL KNOB WITH THREADED STUD

Materials:

Reinforced polyamide.
Resistant to oils and greases.

Surface finish:

Satin.

Colour:

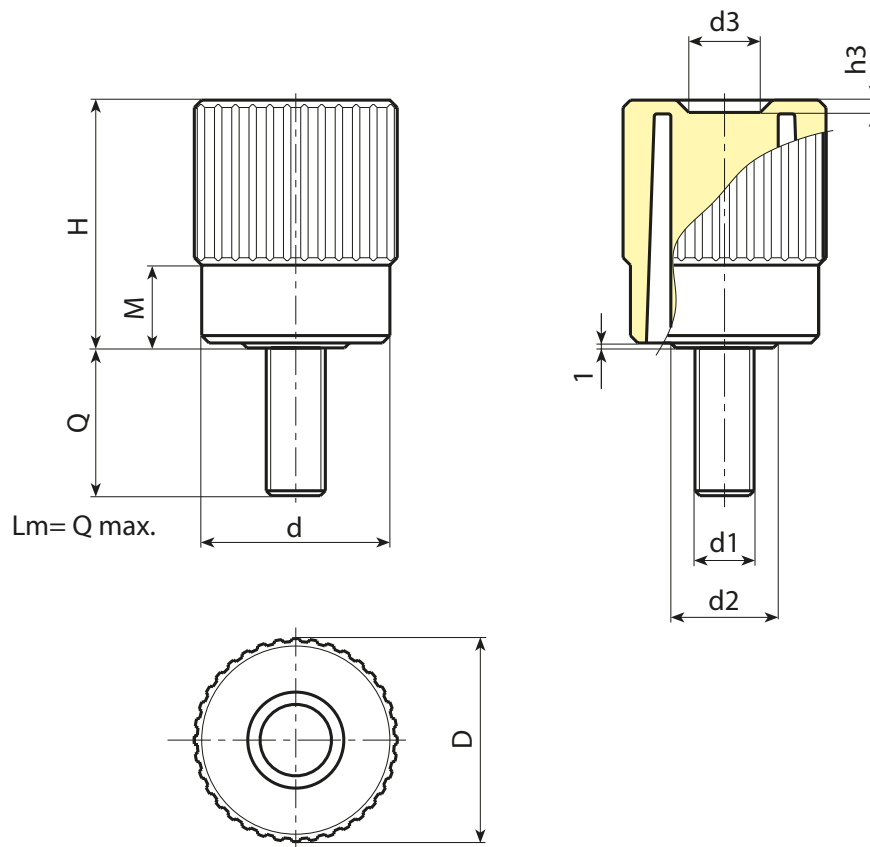
Black (RAL 9011).

Inserts:

Galvanised steel threaded stud (thread tolerance 6g).

Special requests:

- Upon request and for special quantities inserts can be supplied with customised lengths.
- Upon request and for special quantities inserts can be supplied in different materials.
- Upon request and for special quantities available in the colours indicated in the chart (attention: reduced range) [page].



Stock availability as % (🛒)
90% (●) - 40% (●) - 5% (●)

🛒	Art.	D	H	M	d	d2	d3	h3	LM	d1 _{6g}	Q	🛒
●	N74140.TM14X2001	42	50,5	17	38	22	15,5	2,5	90	M14	20	100

Customised stud length available for a minimum of 100 pieces.
LM = Maximum mouldable length.