

N246

UPDATE



KNURLED KNOB WITH INSERT WITH SMOOTH HOLE

Materials:

Reinforced polyamide.
Resistant to oils and greases.

Surface finish:

Satin.

Colour:

Black (RAL 9011).

Cap:

Central cap in grey polyamide (RAL 7035).

Inserts:

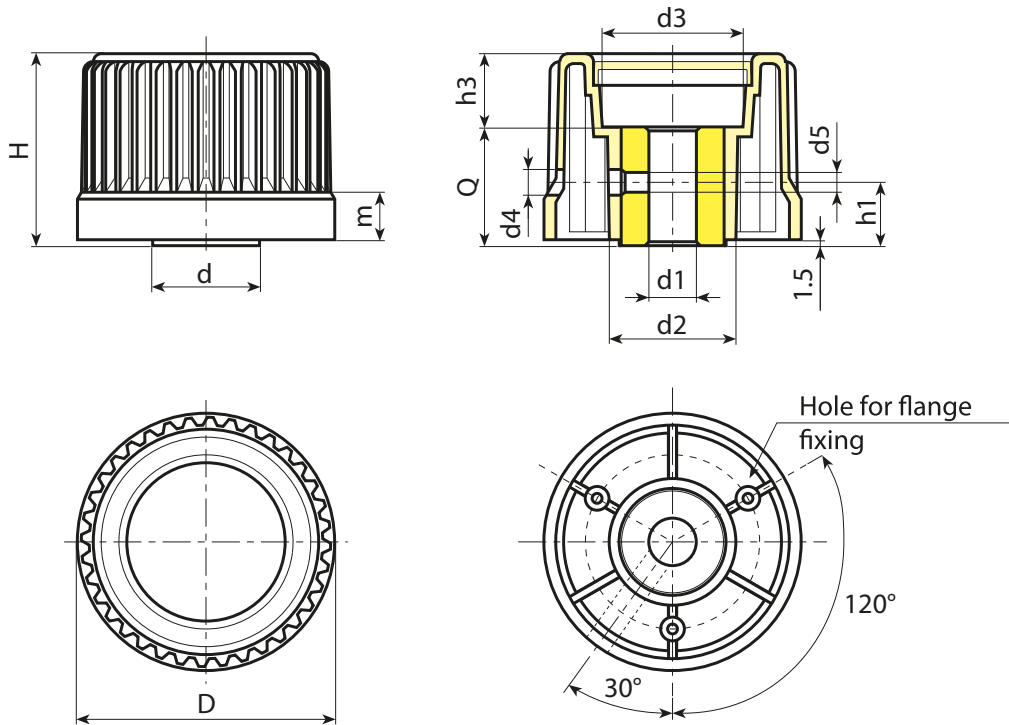
Galvanised steel insert with smooth through bore (tolerance H10).

Notes:

(*) Side NFLAN flange fixing (optional).

Special requests:

- Upon request and for special quantities inserts can be supplied with custom hole diameter d1.
- Upon request and for special quantities inserts can be supplied in different materials/with different coatings.
- Upon request and for special quantities available in the colours indicated in the chart (attention: reduced range) [page].



Stock availability as % (🛒)
90% (●) - 40% (●) - 5% (●)

🛒	Art.	D	H	m	d	d2	d3	d4	d5	h1	h3	Dm	d1 _{H10}	Q	🛒
●	N24630.TD060113(*)	30	31,5	11,5	20	-	18	4,5	M4	16	5,5	12	6	26	74
●	N24630.TD080113(*)	30	31,5	11,5	20	-	18	5,5	M5	16	5,5	12	8	26	70
●	N24643.TD080113	43	37,5	11,5	22	27,5	23	5,5	M5	16	13,5	12	8	24	89
●	N24654.TD080113	54	44	12	26	32	31	5,5	M5	16	14	14	8	30	180
●	N24654.TD120113	54	44	12	26	32	31	6,5	M6	16	14	14	12	30	140
●	N24665.TD080113	65	48,5	12	27	32	36	5,5	M5	16	18,5	16	8	30	180
●	N24665.TD120113	65	48,5	12	27	32	36	6,5	M6	16	18,5	16	12	30	165
●	N24665.TD140113	65	48,5	12	27	32	36	6,5	M6	16	18,5	16	14	30	156
●	N24678.TD080113	78	55,5	12,5	31	36	50	6,5	M6	18	23,5	18	8	32	260

Attention: For a minimum of 100 pieces the diameter d1 can be produced with the requested diameter with H10 tolerance.
Dm = Maximum obtainable diameter for subsequent machining (widening).