

N245

UPDATE

+135°
-30°

PA6
+G.F.

UL94
HB

RoHS
COMPLIANT

KNURLED CONTROL KNOB WITH THREADED STUD

Materials:

Reinforced polyamide.
Resistant to oils and greases.

Surface finish:

Satin.

Colour:

Black (RAL 9011).

Cap:

Central cap in grey polyamide (RAL 7035).

Inserts:

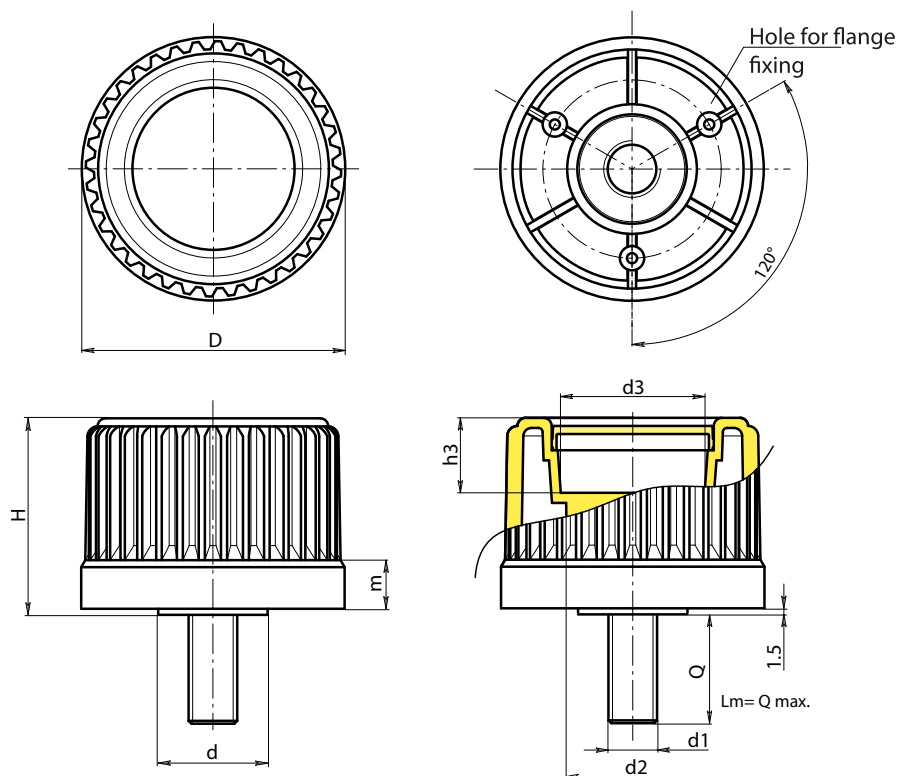
Galvanised steel threaded stud (thread tolerance 6g).

Notes:

(*) Side NFLAN flange fixing (optional).

Special requests:

- Upon request and for special quantities inserts can be supplied with customised lengths.
- Upon request and for special quantities inserts can be supplied in different materials/with different coatings.
- Upon request and for special quantities available in the colours indicated in the chart (attention: reduced range) [page].



Stock availability as % (🛒)
90% (●) - 40% (●) - 5% (●)

🛒	Art.	D	H	m	d	d2	d3	h3	LM	d1 _{6g}	Q	🛒
●	N24530.TM10X200113(*)	30	31,5	11,5	20	-	18	5,5	80	M10	20	-
●	N24543.TM12X300113	43	37,5	11,5	22	27,5	23	13,5	90	M12	30	-
●	N24554.TM12X300113	54	44	12	26	32	31	14	100	M12	30	-
●	N24565.TM16X300113	65	48,5	12	27	32	36	18,5	120	M16	30	-
●	N24578.TM16X..0113	78	55,5	12,5	31	36	50	14	120	M16	30	-

LM = maximum mouldable length.
Customised stud length available for a minimum of 200 pieces.