

# N244

## CONTROL KNOB WITH METAL INSERT AND THROUGH HOLE



### Materials:

Reinforced polyamide.  
Resistant to oils and greases.

### Surface finish:

Satin.

### Colour:

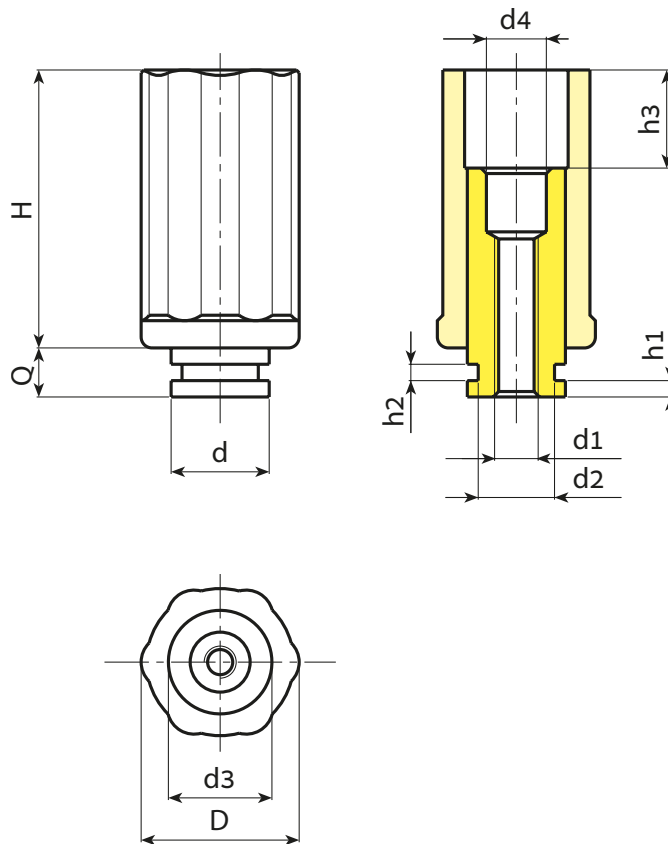
Black (RAL 9011).

### Inserts:

Galvanised steel insert with threaded through hole and empty body top (6H thread tolerance).

### Special requests:

- None.



Stock availability as % (🛒)  
90% (●) - 40% (●) - 5% (●)

🛒	Art.	D	H	d3	h3	Q	d	d1	d2	d4	h1	h2	📦
●	N24430.T.....	30	21	32	63	33	12	25÷40	20	A.R.	A.R.	A.R.	-
●	N24450.T.....	50	36	41	83	55	29	25÷40	28÷30	A.R.	A.R.	A.R.	-

A.R. = Only upon customer's request. Minimum of 200 pieces.



Arbel Agencies LTD.  
11 Ba'alei Hamelacha st. Qiryat Bialik P.O.B 1095, ZIP 2751311, ISRAEL  
+972(0)48736969 ☎ +972(0)48730708 📠 info@arbel-ltd.com 📧 www.arbel-ltd.com 🌐



N