

N241



CONTROL KNOB WITH CAP AND THREADED HOLE INSERT

Materials:

Reinforced polyamide.
Resistant to oils and greases.

Surface finish:

Satin.

Colour:

Black (RAL 9011).

Cap:

Central cap in grey polyamide (RAL 7035).

Alternative cap colours:

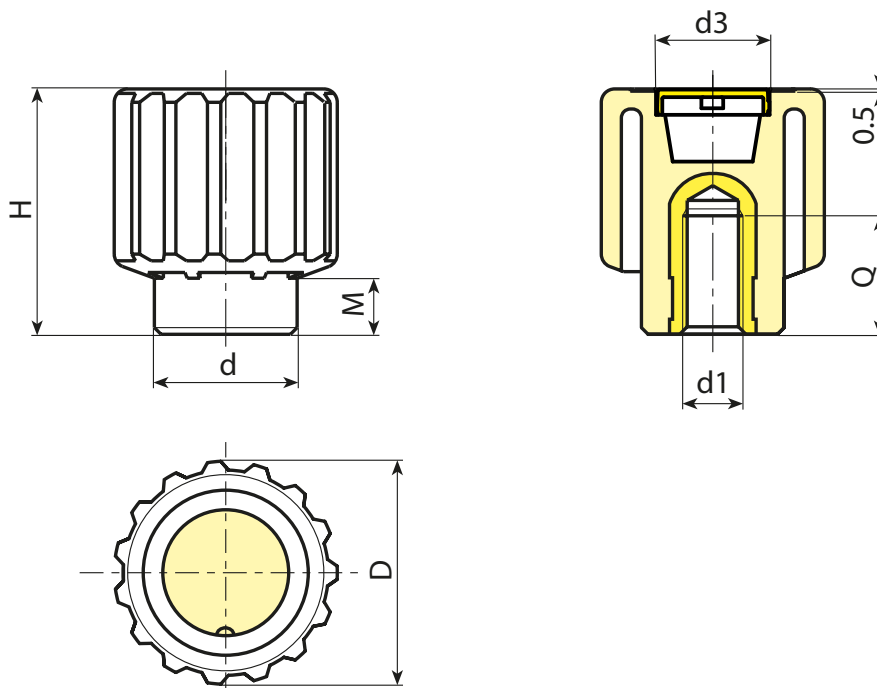
Orange (RAL 2004 code 02).
Blue (RAL 5015 code 07).
Yellow (RAL 1021 code 10).
Red (RAL 3000 code 16).
Green (RAL 6024 code 17).
Black (RAL 9011 code 01).

Inserts:

Brass insert with female threaded hole (thread tolerance 6H).
(* Galvanised steel insert with female threaded hole (thread tolerance 6H).

Special requests:

- Upon request and for special quantities inserts can be supplied in different materials.
- Upon request and for special quantities available in the colours indicated in the chart (attention: reduced range) [page].



Stock availability as % (🛒)
90% (●) - 40% (●) - 5% (●)

🛒	Art.	D	H	M	d	d3	d1 _{6H}	Q	📦
●	N24150.TM0801	50	55	13	32	34	M8	13	92
●	N24150.TM1001	50	55	13	32	34	M10	13	92
●	N24150.TM1201	50	55	13	32	34	M12	17	83
●	N24150.TM1401	50	55	13	32	34	M14	17	82
●	N24150.TM1601	50	55	13	32	34	M16 (*)	16	96