

# M511

## KNURLED HANDLE WITH PUSH-FIT HOLE

**Materials:**

Blend of polypropylene and thermoplastic rubber TPV.

**Surface finish:**

Smooth.

**Colour:**

Black (RAL 9011).

**Hole:**

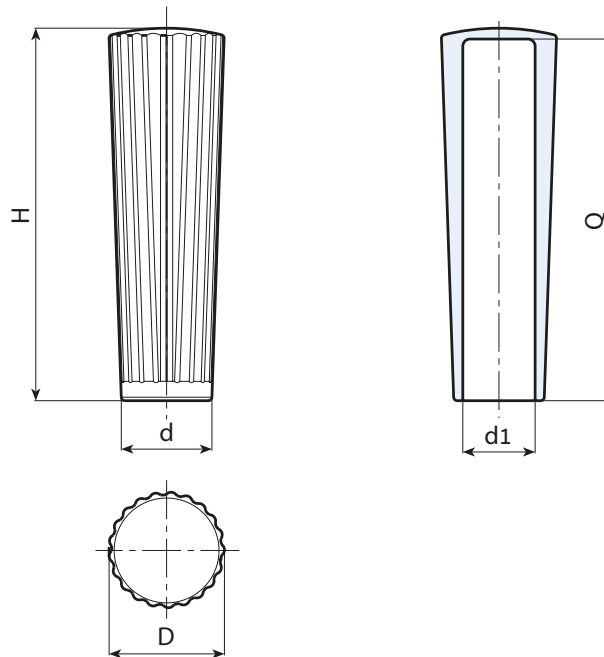
Blind smooth bore obtained by moulding the plastic.

**Fixing method:**

Push-fit.

**Special Requests:**

- None.



Stock availability as % (🛒)  
90% (●) - 40% (●) - 5% (●)

🛒	art.	H	D	d	d1	Q	🛒
●	M511105.EG2001	104,5	32	25	20	100	38