

M336

FULL STEEL REVOLVING, FOLDING HANDLE



Materials:

M336:

Free-cutting steel.

M336CIN:

Stainless steel (Aisi 303).

Surface finish:

M336:

Fine turned, standard blue galvanising.

M336CIN:

Fine turned, natural, untreated.

Inserts:

M336:

1) Galvanised steel revolving, folding threaded cross-head stud.

(2) Galvanised steel threaded nut DIN 934.

(3) Galvanised steel spring.

M336CIN:

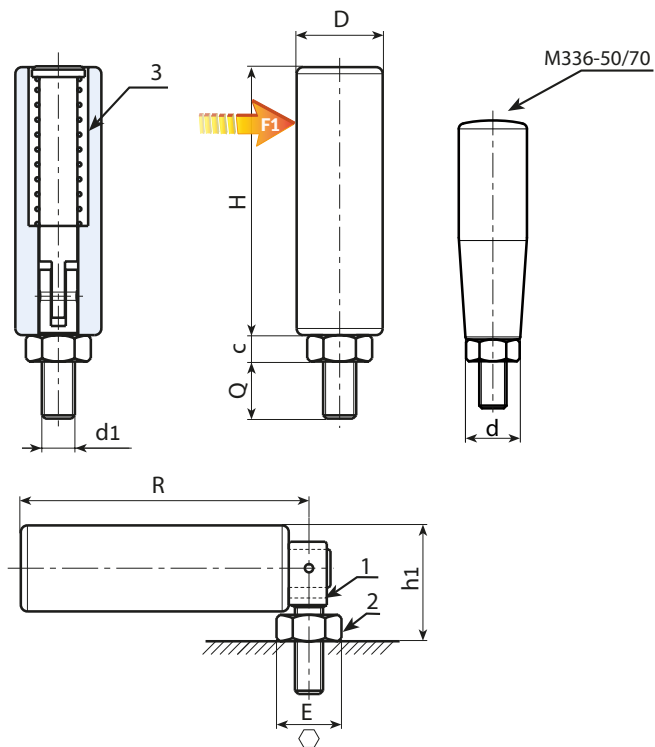
(1) Stainless steel (Aisi 303) revolving, folding threaded cross-head stud.

(2) Stainless steel (Aisi 304) threaded nut DIN 934.

(3) Stainless steel spring (Aisi 302).

Special requests:

- None.



Version M336: galvanised steel version.

art.	H	D	d	E	R	c	h1	d1 _{6g}	Q	F1 (N)
M33650.VZM06X09	49	20	15	10	53	5	24,5	M6	9	270
M33670.VZM08X10	69	23	20	13	73	6,5	28	M8	10	840
M33682.VZM10X15	81	26	-	17	87	8	35	M10	15	1700
M33690.VZM10X15	89	26	-	17	95	8	35	M10	15	2700

Stock availability as % (🛒)
90% (●) - 40% (●) - 5% (●)

Version M336CIN: stainless steel version.

art.	H	D	d	E	R	c	h1	d1 _{6g}	Q	F1 (N)
M33650.INM06X09CIN	49	20	15	10	53	5	24,5	M6	9	270
M33670.INM08X10CIN	69	23	20	13	73	6,5	28	M8	10	840
M33682.INM10X15CIN	81	26	-	17	87	8	35	M10	15	1700
M33690.INM10X15CIN	89	26	-	17	95	8	35	M10	15	2700



11 Ba'alei Hamelacha st. Qiryat Bialik P.O.B 1095, ZIP 2751311, ISRAEL
+972(0)48736969 ☎ +972(0)48730708 📠 info@arbel-ltd.com 📧 www.arbel-ltd.com 🌐

