

M246



“EUROMODEL” HANDLE WITH PUSH-FIT HOLE

Materials:

Reinforced polyamide.
Resistant to oils and greases.

Surface finish:

Satin.

Colour:

Black (RAL 9011).

Central Cap:

Grey polyamide (RAL 7035 code 13).

Alternative Cap colours:

Orange (RAL 2004 code 02).
Blue (RAL 5015 code 07).
Yellow (RAL 1021 code 10).
Red (RAL 3000 code 16).
Green (RAL 6024 code 17).
Black (RAL 9011 code 01).

Hole:

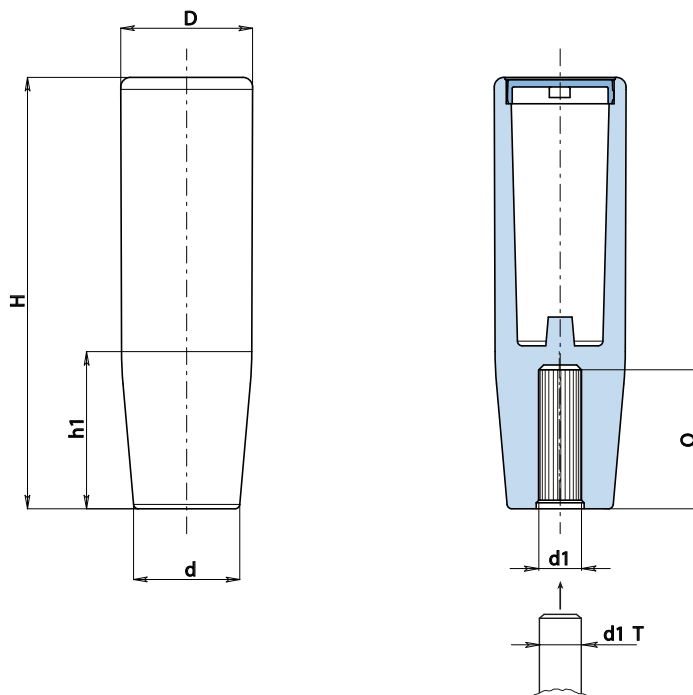
Blind smooth bore, with deformable fixing ribs, obtained by moulding the plastic.

Fixing method:

Push-fit.

Special Requests:

- Upon request and for special quantities available in the colours indicated in the chart (attention: reduced range) [page].



Stock availability as % (🛒)
90% (●) - 40% (●) - 5% (●)

🛒	art.	H	D	d	h1	d1 - T	d1	Q	📦
●	M24690.TG080113	90	27,5	22,5	35	+0 -0,058	8	29	41
●	M24690.TG100113	90	27,5	22,5	35	+0 -0,058	10	29	39
●	M24690.TG120113	90	27,5	22,5	35	+0 -0,070	12	29	38
●	M24690.TG140113	90	27,5	22,5	35	+0 -0,070	14	29	37



Arbel Agencies LTD.
11 Ba'alei Hamelacha st. Qiryat Bialik P.O.B 1095, ZIP 2751311, ISRAEL
+972(0)48736969 ☎ +972(0)48730708 📠 info@arbel-ltd.com 🌐 www.arbel-ltd.com 🌐

