

# M240

## "EUROMODEL" HANDLE WITH THREADED STUD



### Materials:

Reinforced polyamide.  
Resistant to oils and greases.

### Surface finish:

Satin.

### Colour:

Black (RAL 9011).

### Central Cap:

Grey polyamide (RAL 7035 code 13).

### Alternative Cap colours:

Orange (RAL 2004 code 02).  
Blue (RAL 5015 code 07).  
Yellow (RAL 1021 code 10).  
Red (RAL 3000 code 16).  
Green (RAL 6024 code 17).  
Black (RAL 9011 code 01).

### Inserts:

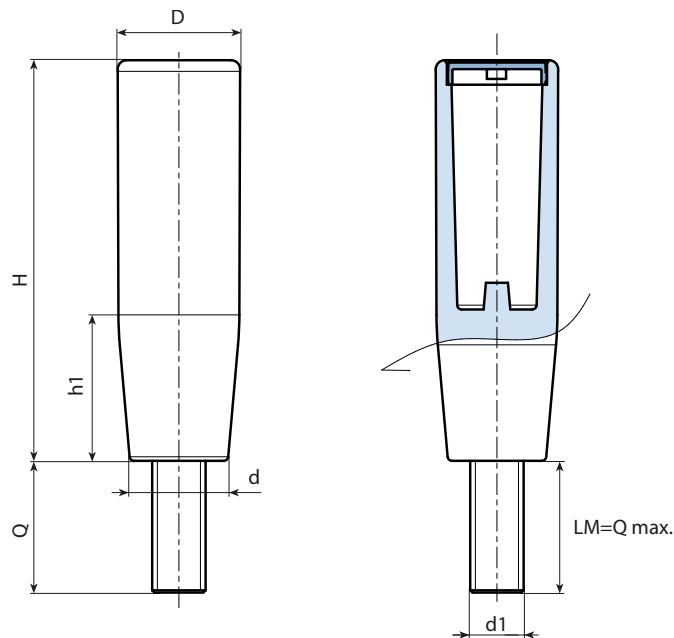
Galvanised steel threaded stud (thread tolerance 6g).

### Special Requests:

- Upon request and for special quantities inserts can be supplied with customised lengths.
- Upon request and for special quantities inserts can be supplied in different materials.
- Upon request and for special quantities available in the colours indicated in the chart (attention: reduced range) [page].

### Studs lengths already setup on the mould:

For all threads:  
10-15-20-25-30-35-40-45-50-55-60-65-70-75-80



Stock availability as % (🛒)  
90% (●) - 40% (●) - 5% (●)

art.	H	D	d	h1	LM	d1 <sub>6g</sub>	Q	🛒
M24090.TM08X..0113	90	27,5	22,5	35	80	M8	10-15	65-66,5
M24090.TM10X..0113	90	27,5	22,5	35	80	M10	10-20	70-75
M24090.TM12X200113	90	27,5	22,5	35	80	M12	20	83

Enter the selected stud length in place of the two dots . . in the item code. Customised stud length available for a minimum of 100 pieces.

LM = Maximum mouldable length.



Arbel Agencies LTD.

11 Ba'alei Hamelacha st. Qiryat Bialik P.O.B 1095, ZIP 2751311, ISRAEL  
+972(0)48736969 ☎ +972(0)48730708 📠 info@arbel-ltd.com 🌐 www.arbel-ltd.com 🌐

