

M151



REVOLVING HANDLE WITH FIXED SCREW AND HEXAGON SOCKET HEAD

Materials:

Reinforced polyamide.
Resistant to oils and greases.

Surface finish:

Satin.

Colour:

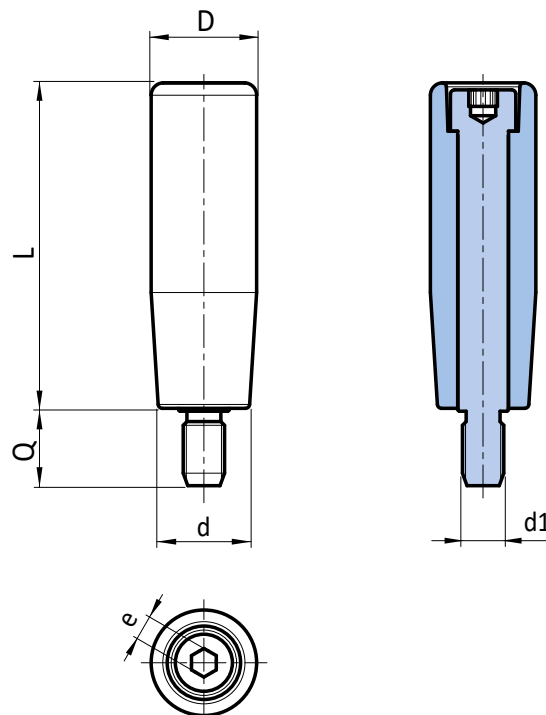
Black (RAL 9011).

Inserts:

Special turned nickel-plated steel screw, with partially threaded stud. Hexagon socket head (thread tolerance 6g).

Special Requests:

- Upon request and for special quantities inserts can be supplied in different materials.
- Upon request and for special quantities available in the colours indicated in the chart [page].



Stock availability as % (🛒)
90% (●) - 40% (●) - 5% (●)

| 🛒 | art. | L | D | d | e | d1 _{6g} | Q | 🛒 |
|---|-------------------|----|------|----|---|------------------|----|-----|
| ● | M15150.TM08X1501H | 50 | 19 | 17 | 5 | M8 | 15 | 49 |
| ● | M15170.TM08X1701H | 69 | 23,5 | 20 | 6 | M8 | 17 | 79 |
| ● | M15170.TM10X1701H | 69 | 23,5 | 20 | 6 | M10 | 17 | 98 |
| ● | M15180.TM10X1801H | 80 | 25,5 | 22 | 6 | M10 | 18 | 119 |
| ● | M15190.TM10X1801H | 90 | 27,5 | 24 | 8 | M10 | 18 | 144 |