

# M145

## REVOLVING HANDLE WITH RING NUT



### Materials:

Reinforced polyamide.  
Resistant to oils and greases.

### Surface finish:

Satin.

### Colour:

Black (RAL 9011).

### Inserts:

#### M145:

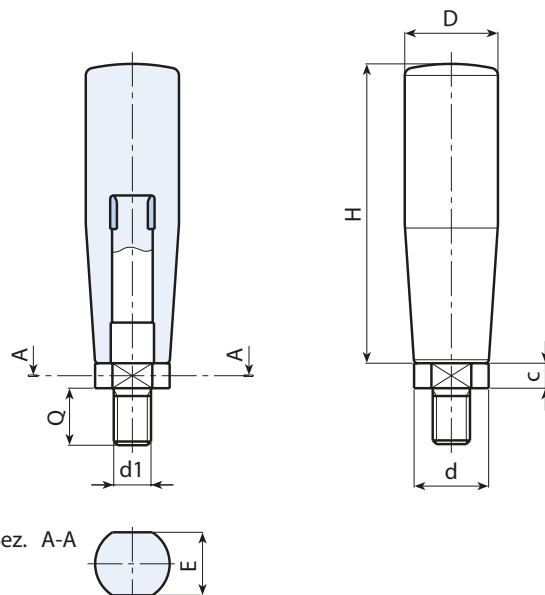
Revolving galvanised steel threaded stud, with ring nut with seat for key and harmonic steel rotating spring (thread tolerance 6g).

#### M145CIN:

Revolving stainless steel threaded stud (Aisi 303), with ring nut with seat for key and stainless steel rotating spring (Aisi 302) (thread tolerance 6g).

### Special Requests:

- Upon request and for special quantities available in the colours indicated in the chart [page ].



### Version M145: with galvanised steel inserts.

Stock availability as % (🛒)  
90% (●) - 40% (●) - 5% (●)

🛒	art.	H	D	d	d2	c	E	d1 <sub>6g</sub>	Q	📦
●	M14550.TM06X1201	50,5	20	15	12	5	10	M6	12	32
●	M14560.TM08X1501	60,5	23,5	18	14	7	13	M8	15	74
●	M14570.TM08X1501	70	25	18,5	14	7	13	M8	15	82
●	M14570.TM10X1501	70	25	18,5	14	7	13	M10	15	86
●	M14580.TM10X1501	79	26	21,5	18	6,5	16	M10	15	92
●	M14580.TM12X1501	79	26	21,5	18	6,5	16	M12	15	96
●	M14590.TM10X1501	89,5	28	23,5	18	6,5	16	M10	15	104
●	M14590.TM12X1501	89,5	28	23,5	18	6,5	16	M12	15	108

### Version M145CIN: with stainless steel inserts (Aisi 303).

INOX

🛒	art.	H	D	d	d2	c	E	d1 <sub>6g</sub>	Q	📦
●	M14550.TM06X1201CIN	50,5	20	15	12	5	10	M6	12	32
●	M14560.TM08X1501CIN	60,5	23,5	18	14	7	13	M8	15	74
●	M14570.TM08X1501CIN	70	25	18,5	14	7	13	M8	15	82
●	M14570.TM10X1501CIN	70	25	18,5	14	7	13	M10	15	86
●	M14580.TM10X1501CIN	79	26	21,5	18	6,5	16	M10	15	92
●	M14580.TM12X1501CIN	79	26	21,5	18	6,5	16	M12	15	96
●	M14590.TM10X1501CIN	89,5	28	23,5	18	6,5	16	M10	15	104
●	M14590.TM12X1501CIN	89,5	28	23,5	18	6,5	16	M12	15	108

Arbel Agencies LTD.



11 Ba'alei Hamelacha st. Qiryat Bialik P.O.B 1095, ZIP 2751311, ISRAEL  
+972(0)48736969 ☎ +972(0)48730708 📠 info@arbel-ltd.com 📧 www.arbel-ltd.com 🌐

