

M144

REVOLVING HANDLE WITH SCREW AND NUT



Materials:

Reinforced polyamide.
Resistant to oils and greases.

Surface finish:

Satin.

Colour:

Black (RAL 9011).

Inserts:

M144:

(1) Threaded hexagonal socket head cap screw (TCCE) in black-oxyde treated steel DIN 912.

(2) Black-oxyde treated steel nut DIN 934.

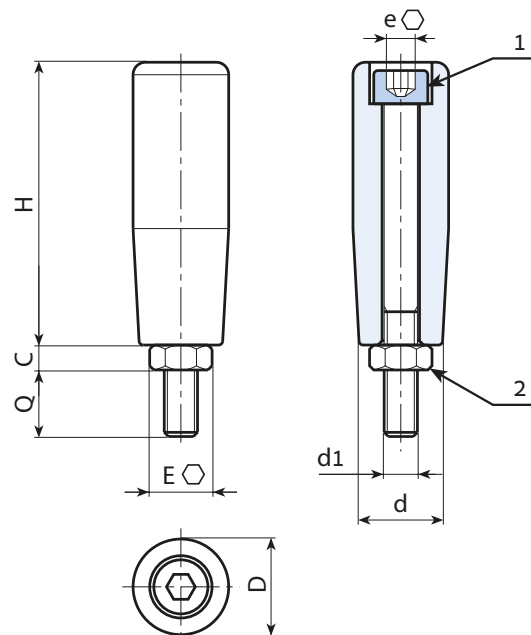
M144CIN:

(1) Threaded hexagonal socket head cap screw (TCCE) in stainless steel (Aisi 304) DIN 912.

(2) Stainless steel nut (AISI 304) DIN 934.

Special Requests:

- Upon request and for special quantities available in the colours indicated in the chart [page].



Version M144: with black oxide treated steel inserts.

Stock availability as % (🛒)
90% (●) - 40% (●) - 5% (●)

🛒	art.	H	D	d	c	E	e	d1 _{6g}	Q	📦
●	M14450.TM06X0901	49	19	17	5	10	5	M6	9	30
●	M14450.TM08X1401	49	19	17	6,5	13	6	M8	14	32
●	M14460.TM08X1501	59	21	19	6,5	13	6	M8	14,5	56
●	M14470.TM08X1601	68	23,5	20	6,5	17	8	M8	15,5	68
●	M14470.TM10X1601	68	23,5	20	8	17	8	M10	16	92
●	M14480.TM10X1501	79	25,5	22	8	17	8	M10	15	110
●	M14490.TM12X1701	89,5	27,5	24	7	19	10	M12	18	150

Version M144CIN: with stainless steel inserts (Aisi 304).

INOX

🛒	art.	H	D	d	c	E	e	d1 _{6g}	Q	📦
●	M14450.TM06X1401CIN	49	19	17	5	10	5	M6	14	30
●	M14450.TM08X1401CIN	49	19	17	6,5	13	6	M8	14	32
●	M14460.TM08X1501CIN	59	21	19	6,5	13	6	M8	14,5	56
●	M14470.TM08X1601CIN	68	23,5	20	6,5	17	8	M8	15,5	68
●	M14470.TM10X1601CIN	68	23,5	20	8	17	8	M10	16	92
●	M14480.TM10X1501CIN	79	25,5	22	8	17	8	M10	15	110
●	M14490.TM12X1701CIN	89,5	27,5	24,5	7	19	10	M12	18	150