

# M141

## CYLINDRICAL HANDLE WITH SMOOTH BORE



### Materials:

Reinforced polyamide.  
Resistant to oils and greases.

### Surface finish:

Satin.

### Colour:

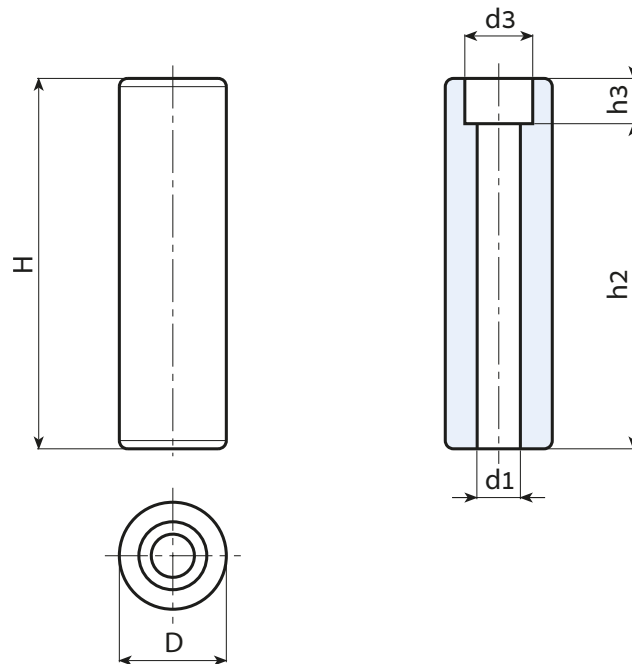
Black (RAL 9011).

### Hole:

Smooth through bore obtained by moulding the plastic (tolerance not applicable).

### Special Requests:

- Upon request and for special quantities available in the colours indicated in the chart [page ].



Stock availability as % (🛒)  
90% (●) - 40% (●) - 5% (●)

🛒	art.	H	D	h2	h3	d1	d3	🛒
●	M14182.TG10.501	81	26,5	70	11	10,5	16,5	44
●	M14190.TG10.501	89,5	26,5	78,5	11	10,5	16,5	51