

M139

HANDLE WITH SMOOTH BORE



Materials:

Reinforced polyamide.
Resistant to oils and greases.

Surface finish:

Satin.

Colour:

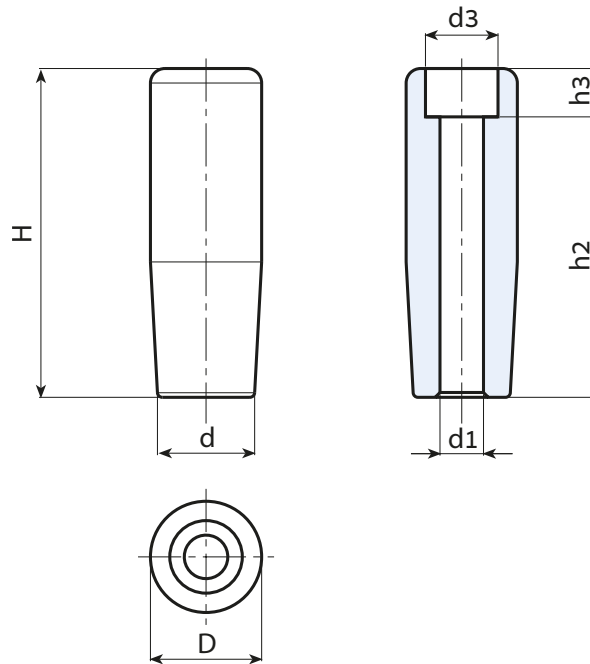
Black (RAL 9011).

Hole:

Smooth through bore obtained by moulding the plastic (tolerance not applicable).

Special Requests:

- Upon request and for special quantities available in the colours indicated in the chart [page].



Stock availability as % (🛒)
90% (●) - 40% (●) - 5% (●)

🛒	art.	H	D	d	h2	h3	d1	d3	🛒
●	M13950.TG06.501	49	19	17	41,5	7,5	6,5	11,5	13
●	M13950.TG08.501	49	19	17	41,5	7,5	8,5	11,5	10
●	M13960.TG06.501	59	21	19	51	8	6,5	12	23
●	M13960.TG08.501	59	21	19	49	10	8,5	14	20
●	M13970.TG08.501	68	23,5	20	58	10	8,5	14	28
●	M13970.TG10.501	68	23,5	20	56	12	10,5	17	25
●	M13980.TG10.501	79	25,5	22	67	12	10,5	17	38
●	M13990.TG08.501	89,5	27,5	24	80	9,5	8,5	14	46
●	M13990.TG12.501	89,5	27,5	24	75,5	14	12,5	19	42