

M136

REVOLVING AND FOLDING HANDLE



Materials:

Reinforced polyamide.
Resistant to oils and greases.

Surface finish:

Satin.

Colour:

Black (RAL 9011).

Inserts:

M136

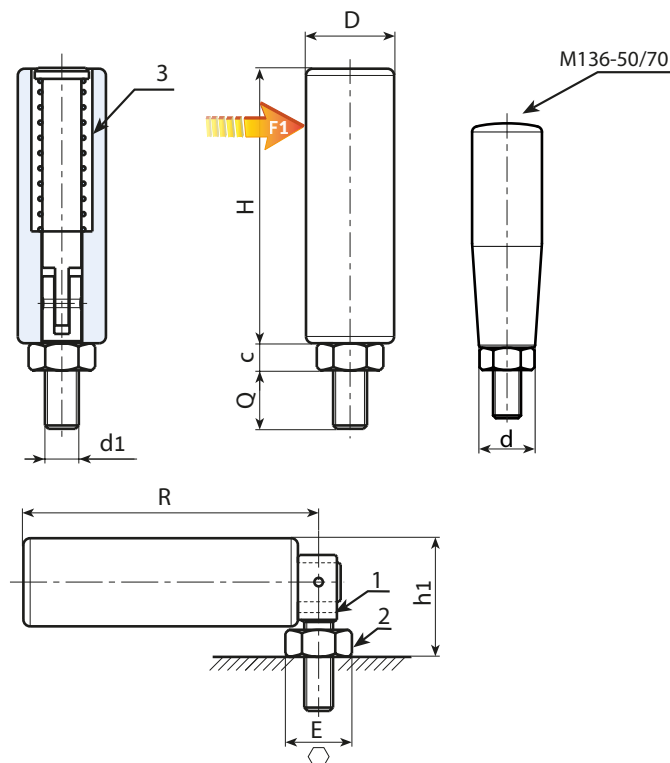
- 1) Black oxide treated steel revolving, folding threaded cross-head stud.
- 2) Threaded nut with black-oxide treated steel DIN 934.
- 3) Galvanised steel spring.

M136 CIN

- 1) Stainless steel (Aisi 303) revolving, folding threaded cross-head stud.
- 2) Stainless steel (Aisi 304) threaded nut DIN 934.
- 3) Stainless steel spring (Aisi 302).

Special requests:

- Upon request and for special quantities inserts can be supplied galvanised (add CVZ at the end of the black-oxide-treated code).
- Upon request and for special quantities available in the colours indicated in the chart [page].



Version M136: black oxide treated steel version.

Stock availability as % (🛒)
90% (●) - 40% (●) - 5% (●)

🛒	art.	H	D	d	E	R	c	h1	d1 _{6g}	Q	🔒	F1 (N)
●	M13650.TM06X0901	49,5	20	15	10	53	5	24,5	M6	9	39	270
●	M13670.TM08X1001	69	23,5	20	13	73	6,5	28,5	M8	10	71	840
●	M13682.TM10X1501	81	26	-	17	87	8	35	M10	15	152	1700
●	M13690.TM10X1501	90	26	-	17	96	8	35	M10	15	160	2700

Version M136CIN: stainless steel version (Aisi 303).

INOX

🛒	art.	H	D	d	E	R	c	h1	d1 _{6g}	Q	🔒	F1 (N)
●	M13650.TM06X0901CIN	49,5	20	15	10	53	5	24,5	M6	9	39	270
●	M13670.TM08X1001CIN	69	23,5	20	13	73	6,5	28,5	M8	10	71	840
●	M13682.TM10X1501CIN	81	26	-	17	87	8	35	M10	15	152	1700
●	M13690.TM10X1501CIN	90	26	-	17	96	8	35	M10	15	160	2700